



# Expansion Tank

**Konforal**



**For Heating and Sanitary Systems**

CE

# KONFORAL ALARKO - EXPANSION TANKS

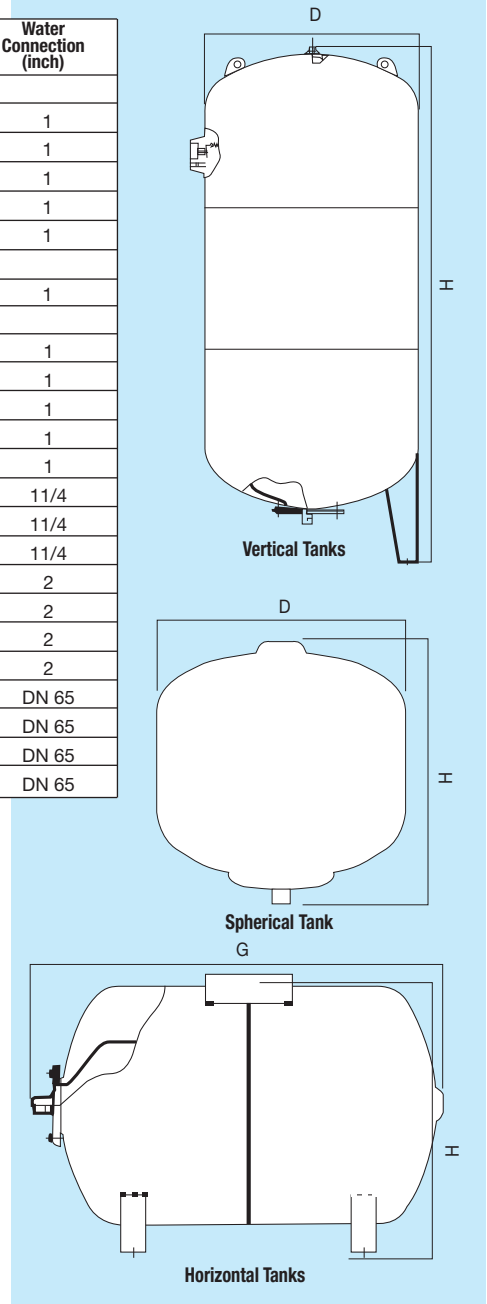
Konforal Alarko expansion tanks are designed to compensate the changing volume of the heated water in heating systems, to maintain the static pressure created by the pump at the utilisation level in water production, and to compensate the changes in water flow rate. A right choice of expansion tank prevents sudden changes in pressure and provides a longer life for the pump and other elements of the system. Thanks to their hygienic EPDM membranes, Konforal Alarko expansion tanks are reliable in both heating and drinking water systems.

## TECHNICAL FEATURES

Type	Volume (ft)	Max. Operation Pressure (bar)	Membrane	Dimension (mm)			Water Connection (inch)
				Wide (G)		Diameter (D)	
Horizontal Tanks							
GT 24Y	24	10	EPDM	280	470	-	1
GT 50Y	50	10	EPDM	409	480	-	1
GT 60Y	60	10	EPDM	409	560	-	1
GT 80Y	80	10	EPDM	480	720	-	1
GT 100Y	100	10	EPDM	480	800	-	1
Spherical Tank							
GT 24K	24	10	EPDM	-	470	280	1
Vertical Tanks							
GT 50D	50	10	EPDM	-	600	409	1
GT 60D	60	10	EPDM	-	660	409	1
GT 80D	80	10	EPDM	-	840	480	1
GT 100D	100	10	EPDM	-	970	480	1
GT 150D	150	10	EPDM	-	1100	500	1
GT 200D	200	10	EPDM	-	980	634	1 1/4
GT 300D	300	10	EPDM	-	1230	634	1 1/4
GT 500D	500	10	EPDM	-	1550	740	1 1/4
GT 750D	750	10	EPDM	-	1950	740	2
GT 1000D	1.000	10	EPDM	-	2200	800	2
GT 1500D	1.500	10	EPDM	-	2400	960	2
GT 2000D	2.000	10	EPDM/Bütıl	-	2450	1100	2
GT 2500D	2.500	10	Bütıl	-	2750	1100	DN 65
GT 3000D	3.000	10	Bütıl	-	2800	1200	DN 65
GT 4000D	4.000	10	Bütıl	-	3100	1450	DN 65
GT 5000D	5.000	10	Bütıl	-	3700	1450	DN 65

- ✓ Alarko tanks and membranes are designed to perfectly match. There is no contact between the water and the tank, and thus all tanks are suitable for both heating cooling and drinking water production.
- ✓ Membranes are made of EPDM material, with is the best quality, odourless and suitable to be used with food produces.
- ✓ Operating temperature range of tanks are -10°C and +100°C.
- ✓ Anti-freeze used in cooling system does not have any undesirable impact on the membrane.
- ✓ Tanks are coated with electrostatic powder paint.
- ✓ 100 liter and bigger tanks have manometers.
- ✓ Tanks are delivered with a factory-filled pre gas pressure of 1,5 bars. If required, the pressure can be readjusted during the installation. Refer to the Instruction Manuel for these operations.
- ✓ Tanks are guaranteed for one year against any faults in production.
- ✓ All tanks are delivered with their Guarantee Form and Instruction Manual.

Note: The manometer indicates the gas pressure as the tanks is empty and the pressure of the water in the installation, as the tank is connected. The water in the tanks should be removed if the gas pressure wanted to measure.



The right to amend specifications under technologic developments is reserved

**ALARKO**

**Carrier**

**ALARKO CARRIER  
SANAYİ VE TİCARET A.Ş.**

GOSB-Gebze Organize Sanayi Bölgesi  
Şahabettin Bilgisu Cad. 41480 Gebze-Kocaeli/TURKEY  
**Phone :** (90)(262) 648 60 00 PBX  
**Telefax :** (90)(262) 648 61 01  
**web :** www.alarko-carrier.com.tr  
**e-mail :** info@alarko-carrier.com.tr

