



INVERTER ONE-TWO/ONE-THREE
/ONE-FOUR/ONE-FIVE
SPLIT-TYPE AIR CONDITIONER

A large, solid gray rectangular area occupies the bottom portion of the page, below the product description text.

Table of Contents

Safety Precautions04

Owner's Manual

Unit Parts And Major Functions08

1. Unit Parts08
2. Operating temperature10
3. Features11

Manual Operations And Maintenance13

Troubleshooting14

Installation Manual

Accessories	17
Installation Summary	18
Installation Diagram.....	19
Specifications.....	20
Outdoor Unit Installation	21
1. Select installation location	21
2. Install drain joint	22
3. Anchor outdoor unit	22
Refrigerant Piping Connection	24
1. Cut pipe	24
2. Remove burrs	24
3. Flare pipe ends	24
4. Connect pipes	25
Wiring	27
1. Outdoor Unit Wiring	29
2. Wiring Figure	30
Air Evacuation	37
1. Note On Adding Refrigerant	38
2. Safety And Leakage Check	40
Test Run.....	41
Function of Automatic Wiring/Piping Correction.....	42

Safety Precautions

Read Safety Precautions Before Operation and Installation

Incorrect installation due to ignoring instructions can cause serious damage or injury.

The seriousness of potential damage or injuries is classified as either a **WARNING** or **CAUTION**.



WARNING

This symbol indicates the possibility of personnel injury or loss of life.



CAUTION

This symbol indicates the possibility of property damage or serious consequences.



WARNING

This appliance can be used by children aged from 8 years and above and persons with reduced physical, sensory or mental capabilities or lack of experience and knowledge if they have been given supervision or instruction concerning use of the appliance in a safe way and understand the hazards involved. Children shall not play with the appliance. Cleaning and user maintenance shall not be made by children without supervision.

This appliance is not intended for use by persons (including children) with reduced physical, sensory or mental capabilities, or lack of experience and knowledge, unless they have been given supervision or instruction concerning use of the appliance by a person responsible for their safety. Children should be supervised to ensure that they do not play with the appliance.



WARNINGS FOR PRODUCT USE

- If an abnormal situation arises (like a burning smell), immediately turn off the unit and disconnect the power. Call your dealer for instructions to avoid electric shock, fire or injury.
- **Do not** insert fingers, rods or other objects into the air inlet or outlet. This may cause injury, since the fan may be rotating at high speeds.
- **Do not** use flammable sprays such as hair spray, lacquer or paint near the unit. This may cause fire or combustion.
- **Do not** operate the air conditioner in places near or around combustible gases. Emitted gas may collect around the unit and cause explosion.
- **Do not** operate your air conditioner in a wet room such as a bathroom or laundry room. Too much exposure to water can cause electrical components to short circuit.
- **Do not** expose your body directly to cool air for a prolonged period of time.
- **Do not** allow children to play with the air conditioner. Children must be supervised around the unit at all times.
- If the air conditioner is used together with burners or other heating devices, thoroughly ventilate the room to avoid oxygen deficiency.
- In certain functional environments, such as kitchens, server rooms, etc., the use of specially designed air-conditioning units is highly recommended.

CLEANING AND MAINTENANCE WARNINGS

- Turn off the device and disconnect the power before cleaning. Failure to do so can cause electrical shock.
- **Do not** clean the air conditioner with excessive amounts of water.

CLEANING AND MAINTENANCE WARNINGS

- **Do not** clean the air conditioner with combustible cleaning agents. Combustible cleaning agents can cause fire or deformation.

CAUTION

- Turn off the air conditioner and disconnect the power if you are not going to use it for a long time.
- Turn off and unplug the unit during storms.
- Make sure that water condensation can drain unhindered from the unit.
- **Do not** operate the air conditioner with wet hands. This may cause electric shock.
- **Do not** use device for any other purpose than its intended use.
- **Do not** climb onto or place objects on top of the outdoor unit.
- **Do not** allow the air conditioner to operate for long periods of time with doors or windows open, or if the humidity is very high.

ELECTRICAL WARNINGS

- Only use the specified power cord. If the power cord is damaged, it must be replaced by the manufacturer, its service agent or similarly qualified persons in order to avoid a hazard.
- Keep power plug clean. Remove any dust or grime that accumulates on or around the plug. Dirty plugs can cause fire or electric shock.
- **Do not** pull power cord to unplug unit. Hold the plug firmly and pull it from the outlet. Pulling directly on the cord can damage it, which can lead to fire or electric shock.
- **Do not** modify the length of the power supply cord or use an extension cord to power the unit.
- **Do not** share the electrical outlet with other appliances. Improper or insufficient power supply can cause fire or electrical shock.
- The product must be properly grounded at the time of installation, or electrical shock may occur.
- For all electrical work, follow all local and national wiring standards, regulations, and the Installation Manual. Connect cables tightly, and clamp them securely to prevent external forces from damaging the terminal. Improper electrical connections can overheat and cause fire, and may also cause shock. All electrical connections must be made according to the Electrical Connection Diagram located on the panels of the indoor and outdoor units.
- All wiring must be properly arranged to ensure that the control board cover can close properly. If the control board cover is not closed properly, it can lead to corrosion and cause the connection points on the terminal to heat up, catch fire, or cause electrical shock.
- If connecting power to fixed wiring, an all-pole disconnection device which has at least 3mm clearances in all poles, and have a leakage current that may exceed 10mA, the residual current device(RCD) having a rated residual operating current not exceeding 30mA, and disconnection must be incorporated in the fixed wiring in accordance with the wiring rules.

TAKE NOTE OF FUSE SPECIFICATIONS

The air conditioner's circuit board (PCB) is designed with a fuse to provide overcurrent protection. The specifications of the fuse are printed on the circuit board ,such as :

T20A/250VAC(for <24000Btu/h unit), T30A/250VAC(for >24000Btu/h unit)

NOTE: For the units with R32 or R290 refrigerant , only the blast-proof ceramic fuse can be used.

WARNINGS FOR PRODUCT INSTALLATION

1. Installation must be performed by an authorized dealer or specialist. Defective installation can cause water leakage, electrical shock, or fire.

**WARNINGS FOR PRODUCT INSTALLATION**

2. Installation must be performed according to the installation instructions. Improper installation can cause water leakage, electrical shock, or fire.
(In North America, installation must be performed in accordance with the requirement of NEC and CEC by authorized personnel only.)
3. Contact an authorized service technician for repair or maintenance of this unit. This appliance shall be installed in accordance with national wiring regulations.
4. Only use the included accessories, parts, and specified parts for installation. Using non-standard parts can cause water leakage, electrical shock, fire, and can cause the unit to fail.
5. Install the unit in a firm location that can support the unit's weight. If the chosen location cannot support the unit's weight, or the installation is not done properly, the unit may drop and cause serious injury and damage.
6. Install drainage piping according to the instructions in this manual. Improper drainage may cause water damage to your home and property.
7. For units that have an auxiliary electric heater, **do not** install the unit within 1 meter (3 feet) of any combustible materials.
8. **Do not** install the unit in a location that may be exposed to combustible gas leaks. If combustible gas accumulates around the unit, it may cause fire.
9. Do not turn on the power until all work has been completed.
10. When moving or relocating the air conditioner, consult experienced service technicians for disconnection and reinstallation of the unit.
11. How to install the appliance to its support, please read the information for details in "indoor unit installation" and "outdoor unit installation" sections .

Note about Fluorinated Gasses(Not applicable to the unit using R290 Refrigerant)

1. This air-conditioning unit contains fluorinated greenhouse gasses. For specific information on the type of gas and the amount, please refer to the relevant label on the unit itself or the "Owner's Manual - Product Fiche " in the packaging of the outdoor unit. (European Union products only).
2. Installation, service, maintenance and repair of this unit must be performed by a certified technician.
3. Product uninstallation and recycling must be performed by a certified technician.
4. For equipment that contains fluorinated greenhouse gases in quantities of 5 tonnes of CO₂ equivalent or more, but of less than 50 tonnes of CO₂ equivalent, If the system has a leak-detection system installed, it must be checked for leaks at least every 24 months.
5. When the unit is checked for leaks, proper record-keeping of all checks is strongly recommended.

**WARNING for Using R32 Refrigerant**

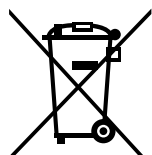
- When flammable refrigerant are employed, appliance shall be stored in a well -ventilated area where the room size corresponds to the room area as specifec for operation.
For R32 frigerant models:
Appliance shall be installed, operated and stored in a room with a floor area larger than X m² .
Appliance shall not be installed in an unvertilated space, if that space is smaller than X m² .
(Please see the following form).

Amount of refrigerant to be charged (kg)	Installation height (m)	Minimum room area (m ²)	Amount of refrigerant to be charged (kg)	Installation height (m)	Minimum room area (m ²)
1.0	0.6 /1.8 /2.2	9 /1 /1	1.95	0.6 /1.8 /2.2	33 /4 /2.5
1.05	0.6 /1.8 /2.2	9.5 /1.5 /1	2.0	0.6 /1.8 /2.2	34.5 /4 /3
1.1	0.6 /1.8 /2.2	10.5 /1.5 /1	2.05	0.6 /1.8 /2.2	36 /4 /3
1.15	0.6 /1.8 /2.2	11.5 /1.5 /1	2.1	0.6 /1.8 /2.2	38 /4.5 /3
1.2	0.6 /1.8 /2.2	12.5 /1.5 /1	2.15	0.6 /1.8 /2.2	40 /4.5 /3
1.25	0.6 /1.8 /2.2	13.5 /1.5 /1	2.2	0.6 /1.8 /2.2	41.5 /5 /3.5
1.3	0.6 /1.8 /2.2	14.5 /2 /1.5	2.25	0.6 /1.8 /2.2	43.5 /5 /3.5
1.35	0.6 /1.8 /2.2	16 /2 /1.5	2.3	0.6 /1.8 /2.2	45.5 /5 /3.5
1.4	0.6 /1.8 /2.2	17 /2 /1.5	2.35	0.6 /1.8 /2.2	47.5 /5.5 /4
1.45	0.6 /1.8 /2.2	18 /2 /1.5	2.4	0.6 /1.8 /2.2	49.5 /5.5 /4
1.5	0.6 /1.8 /2.2	19.5 /2.5 /1.5	2.45	0.6 /1.8 /2.2	51.5 /6 /4
1.55	0.6 /1.8 /2.2	21 /2.5 /2	2.5	0.6 /1.8 /2.2	54 /6 /4
1.6	0.6 /1.8 /2.2	22 /2.5 /2	2.55	0.6 /1.8 /2.2	56 /6.5 /4.5
1.65	0.6 /1.8 /2.2	23.5 /3 /2	2.6	0.6 /1.8 /2.2	58 /6.5 /4.5
1.7	0.6 /1.8 /2.2	25 /3 /2	2.65	0.6 /1.8 /2.2	60.5 /7 /4.5
1.75	0.6 /1.8 /2.2	26.5 /3 /2	2.7	0.6 /1.8 /2.2	63 /7 /5
1.8	0.6 /1.8 /2.2	28 /3.5 /2.5	2.75	0.6 /1.8 /2.2	65 /7.5 /5
1.85	0.6 /1.8 /2.2	29.5 /3.5 /2.5	2.8	0.6 /1.8 /2.2	67.5 /7.5 /5
1.9	0.6 /1.8 /2.2	31 /3.5 /2.5	2.85	0.6 /1.8 /2.2	70 /8 /5.5

- Reusable mechanical connectors and flared joints are not allowed indoors. (EN Standard Requirements).
- Mechanical connectors used indoors shall have a rate of not more than 3g/year at 25% of the maximum allowable pressure. When mechanical connectors are reused indoors, sealing parts shall be renewed. When flared joints are reused indoors, the flare part shall be re-fabricated. (UL Standard Requirements)
- When mechanical connectors are reused indoors, sealing parts shall be renewed. When flared joints are reused indoors, the flare part shall be re-fabricated. (IEC Standard Requirements)
- Mechanical connectors used indoors shall comply with ISO 14903.

European Disposal Guidelines

This marking shown on the product or its literature, indicates that waste electrical and electrical equipment should not be mixed with general household waste.



Correct Disposal of This Product (Waste Electrical & Electronic Equipment)

This appliance contains refrigerant and other potentially hazardous materials. When disposing of this appliance, the law requires special collection and treatment. **Do not** dispose of this product as household waste or unsorted municipal waste.

When disposing of this appliance, you have the following options:

- Dispose of the appliance at designated municipal electronic waste collection facility.
- When buying a new appliance, the retailer will take back the old appliance free of charge.
- The manufacturer will take back the old appliance free of charge.
- Sell the appliance to certified scrap metal dealers.

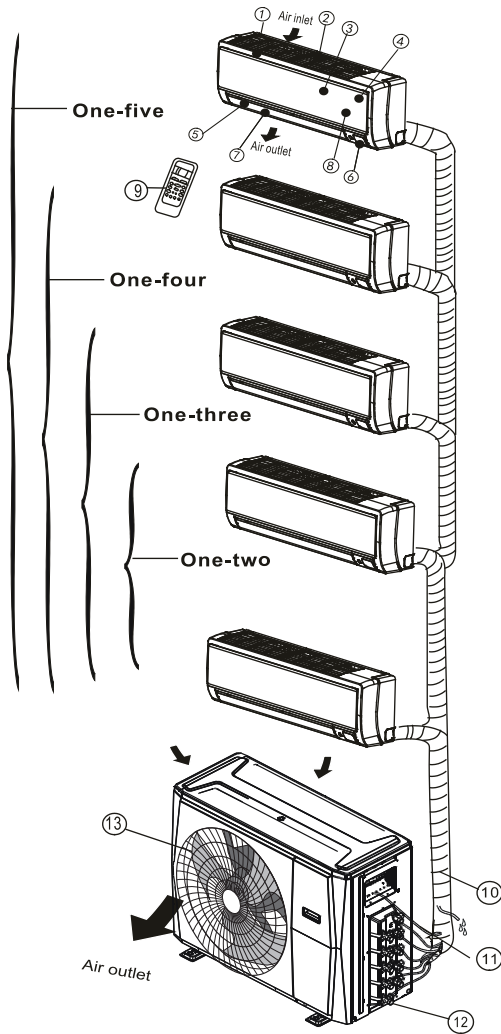
Special notice

Disposing of this appliance in the forest or other natural surroundings endangers your health and is bad for the environment. Hazardous substances may leak into the ground water and enter the food chain.

Unit Parts And Major Functions

Unit Parts

(A) Wall-mounted type



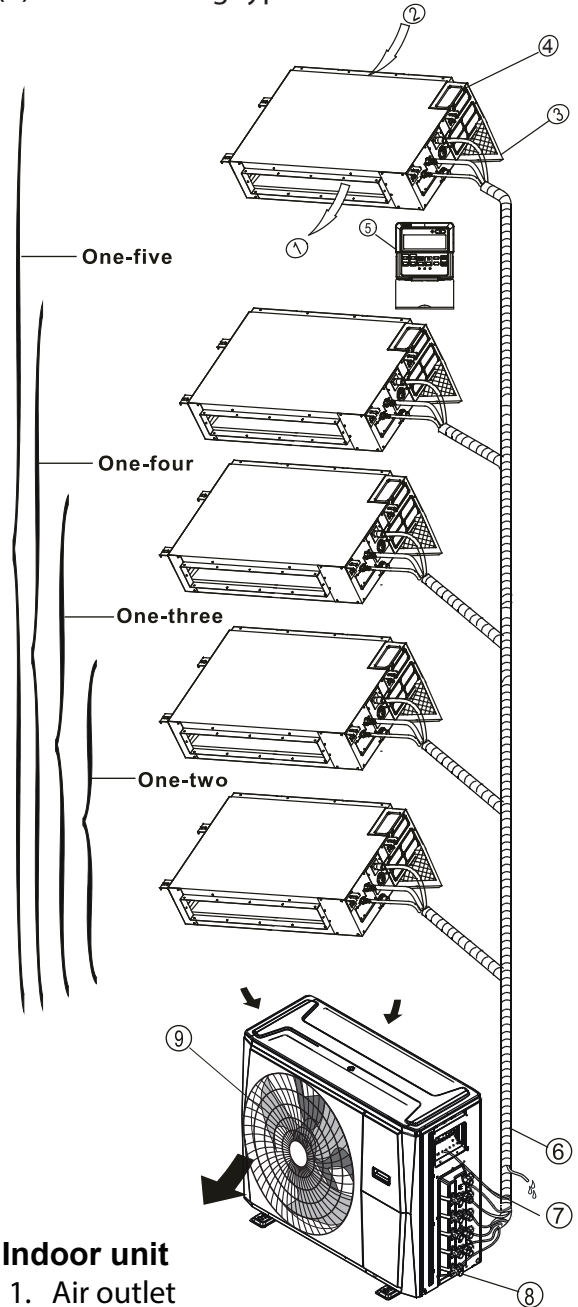
Indoor unit

1. Panel frame
2. Rear air intake grille
3. Front panel
4. Air purifying filter & Air filter(behind)
5. Horizontal louver
6. LCD display window
7. Vertical louver
8. Manual control button(behind)
9. Remote controller holder

Outdoor unit

10. Drain hose, refrigerant connecting pipe
11. Connective cable
12. Stop valve
13. Fan hood

(B) Duct / Ceiling type



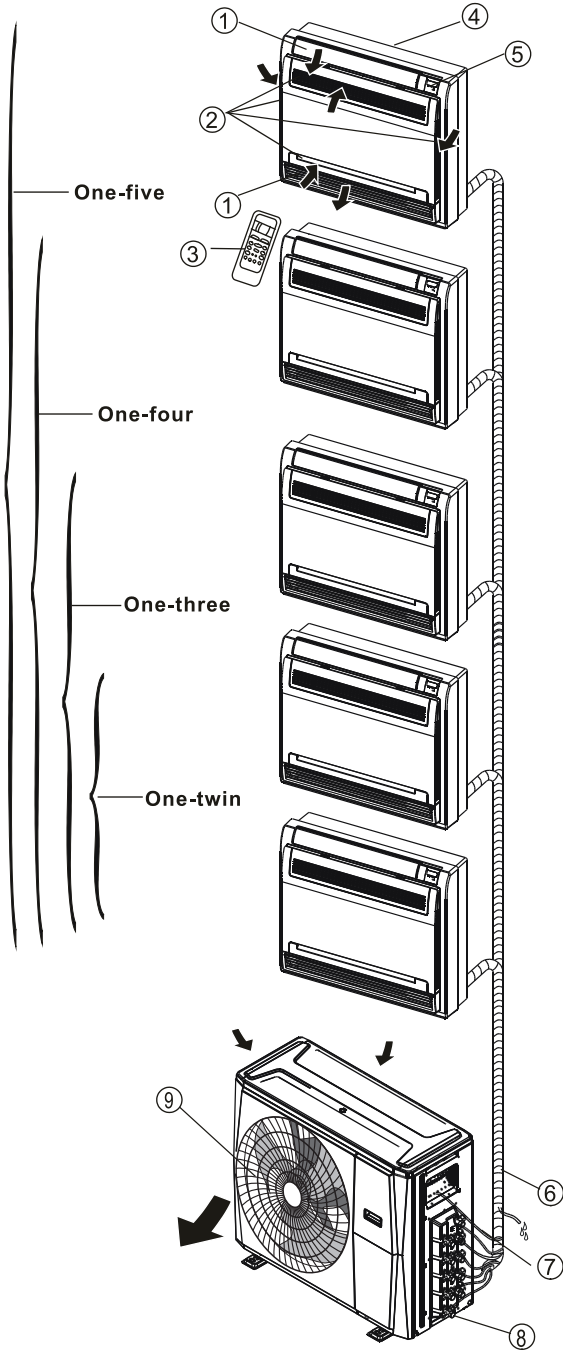
Indoor unit

1. Air outlet
2. Air inlet
3. Air filter
4. Electric control cabinet
5. Wire controller

Outdoor unit

6. Drain hose, refrigerant connecting pipe
7. Connective cable
8. Stop valve
9. Fan hood

(C) Floor and standing type(console)



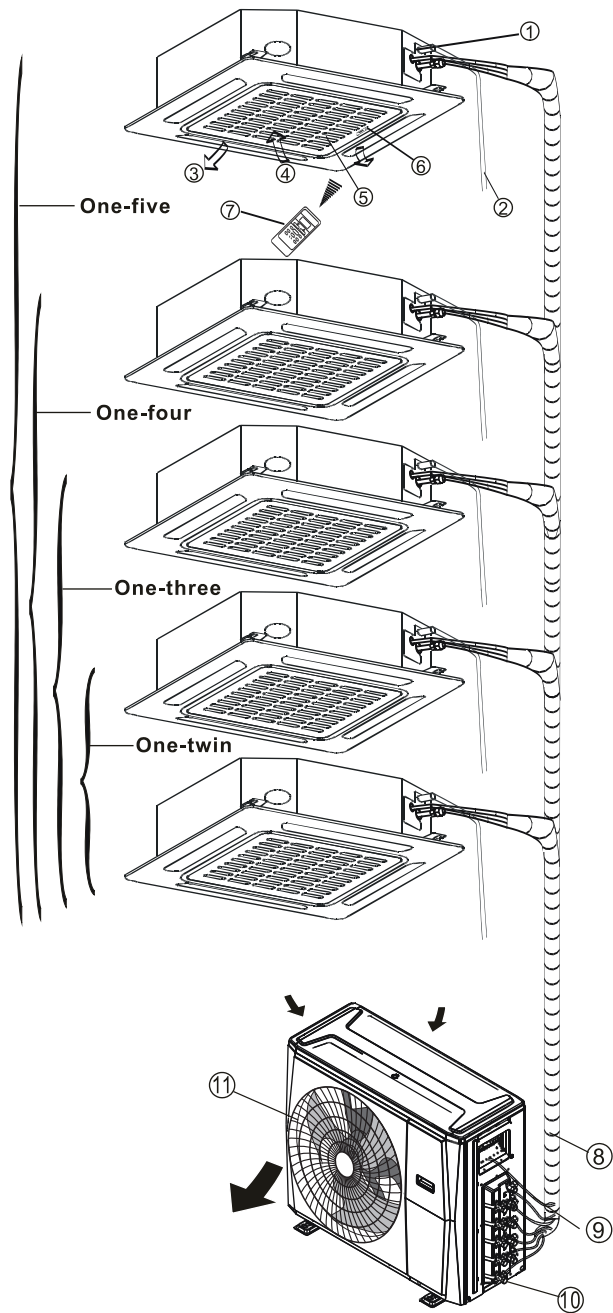
Indoor unit

1. Air flow louver (at air outlet)
2. Air inlet (containing air filter)
3. Remote controller
4. Installation part
5. Display panel

Outdoor unit

6. Drain hose, refrigerant connecting pipe
7. Connective cable
8. Stop valve
9. Fan hood

(D) Compact four-way cassette type



Indoor unit

1. Drain pump(drain water from indoor unit)
2. Drain hose
3. Air outlet
4. Air inlet
5. Air-in grill
6. Display panel
7. Remote controller

Outdoor unit

8. refrigerant connecting pipe
9. Connective cable
10. Stop valve
11. Fan hood

NOTE: For multi-split type air conditioners, one outdoor unit can be matched to different types of indoor units. All of the pictures in this manual are for demonstration purposes only. Your air conditioner may be slightly different, if similar in shape. The following pages introduce several kinds of indoor units that can be matched with the outdoor units.

Operating Conditions

Operating temperature

When your air conditioner is used outside of the following temperature ranges, certain safety protection features may activate and cause the unit to disable.

	COOL mode	HEAT mode	DRY mode
Room Temperature	17°C - 32°C (62°F - 90°F)	0°C - 30°C (32°F - 86°F)	10°C - 32°C (50°F - 90°F)
Outdoor Temperature	0°C - 50°C (32°F - 122°F)	-15°C - 24°C (5°F - 75°F)	0°C - 50°C (32°F - 122°F)
	-15°C - 50°C (5°F - 122°F) (For models with low temp. cooling systems.)		
	0°C - 52°C (32°F - 126°F) (For special tropical models)		0°C - 52°C (32°F - 126°F) (For special tropical models)

FOR OUTDOOR UNITS WITH AUXILIARY ELECTRIC HEATER

When outside temperature is below 0°C (32°F), we strongly recommend keeping the unit plugged in at all time to ensure smooth ongoing performance.

NOTE: Room relative humidity less than 80%. If the air conditioner operates in excess of this figure, the surface of the air conditioner may attract condensation. Please sets the vertical air flow louver to its maximum angle (vertically to the floor), and set HIGH fan mode.

To further optimize the performance of your unit, do the following:

- Keep doors and windows closed.
- Limit energy usage by using TIMER ON and TIMER OFF functions.
- Do not block air inlets or outlets.
- Regularly inspect and clean air filters.

Features

Protection of the air conditioner

Compressor protection

- The compressor cannot restart for 3 minutes after it stops.

Anti-cold air (Cooling and heating models only)

- The unit is designed not to blow cold air on HEAT mode, when the indoor heat exchanger is in one of the following three situations and the set temperature has not been reached.
 - A) When heating has just started.
 - B) During defrosting.
 - C) Low temperature heating.

- The indoor or outdoor fan stop running when defrosting (Cooling and heating models only).

Defrosting (Cooling and heating models only)

- Frost may be generated on the outdoor unit during a heat cycle when outdoor temperature is low and humidity is high resulting in lower heating efficiency in the air conditioner.
- Under these conditions, the air conditioner will stop heating operations and start defrosting automatically.
- The time to defrost may vary from 4 to 10 minutes, depending the outdoor temperature and the amount of frost buildup on the outdoor unit.

Auto-Restart (some models)

In case of power failure, the system will immediately stop. When power returns, the Operation light on the indoor unit will flash. To restart the unit, press the **ON/OFF** button on the remote control. If the system has an auto restart function, the unit will restart using the same settings.

White mist emerging from the indoor unit

- A white mist may be generated due to a large temperature difference between air inlet and air outlet on COOL mode in places with high relative humidity.
- A white mist may be generated due to moisture created in the defrosting process when the air conditioner restarts in HEAT mode operation after defrosting.

Noise coming from the air conditioner

- You may hear a low hissing sound when the compressor is running or has just stopped running. This sound is the sound of the refrigerant flowing or coming to a stop.
- You may also hear a low "squeaking" sound when the compressor is running or has just stopped running. This is caused by tempera heat expansion and cold contraction of the plastic parts in the unit when the temperature is changing.
- A noise may be heard due to the louver restoring itself to its original position when power is first turned on.

Dust blowing out from the indoor unit.

This is happens when the air conditioner has not been used for a long time or during its first use.

Smell emitting from the indoor unit.

This is caused by the indoor unit giving off smells permeated from building materials, furniture, or smoke.

The air conditioner turns to FAN ONLY mode from COOL or HEAT (for cooling and heating models only) mode.

When the indoor temperature reaches the set temperature setting, the compressor will stop automatically, and the air conditioner turns to FAN only mode. The compressor will start again when the indoor temperature rises on COOL mode or falls on HEAT mode to the set point.

Droplets of water may form on the surface of the indoor unit when cooling occurs in relatively high humidity (defined as higher than 80%). Adjust the horizontal louver to the maximum air outlet position and select HIGH fan speed.

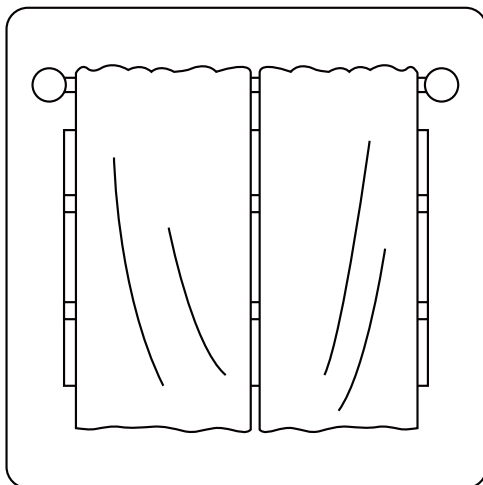
Heating mode (For cooling and heating models only)

The air conditioner draws in heat from the outdoor unit and releases it via the indoor unit during heating. When the outdoor temperature falls, heat drawn in by the air conditioner decreases accordingly. At the same time, heat loading of the air conditioner increases due to larger difference between indoor and outdoor temperature. If a comfortable temperature cannot be achieved with the air conditioner alone, it is recommended that you use a supplementary heating device.

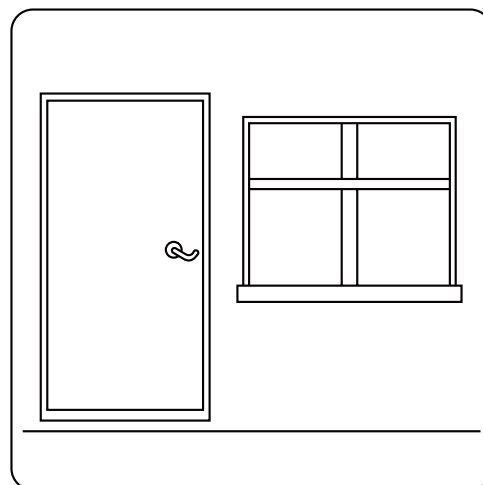
Lightning or a car wireless telephone operating nearby may cause the unit to malfunction. Disconnect the unit from its power source and then re-connect the unit with the power source again. Push the ON/OFF button on the remote controller to restart operations.

Energy Saving Tips

- **DO NOT** set the unit to excessive temperature levels.
- While cooling, close the curtains to avoid direct sunlight.
- Doors and windows should be kept closed to keep cool or warm air in the room.
- **DO NOT** place objects near the air inlet and outlet of the unit. This will reduce the efficiency of the unit.
- Set a timer and use the built-in SLEEP/ECONOMY mode if applicable.
- If you don't plan to use the unit for a long time, remove the batteries from the remote control.
- Clean the air filter every two weeks. A dirty filter can reduce cooling or heating efficiency.
- Adjust louvers properly and avoid direct airflow.



Closing curtains during heating also helps keep the heat in



Doors and windows should be kept closed

Manual Operations And Maintenance

Operation mode selection

While two or more indoor units are simultaneously operating, make sure the modes do not conflict with each other. The heat mode claims precedence over all other modes. If the unit initially started to operate in HEAT mode, the other units can operate in HEAT mode only. For example: If the unit initially started to operate under COOL (or FAN) mode, the other units can operate under any mode except HEAT. If one of the units selects HEAT mode, the other operating units will stop operation and display "--" (for units with display window only) or the auto and operation indication light will flash rapidly, the defrost indication light will turn off, and the timer indication light will remain on (for units without a display window). Alternatively, the defrost and alarm indication light (if applicable) will light up, or the operation indication light will flash rapidly, and the timer indication light will turn off (for the floor and standing type).

Maintenance

If you plan to leave the unit idle for a long time, perform the following tasks:

1. Clean the indoor unit and air filter.
2. Select FAN ONLY mode and let the indoor fan run for a time to dry the inside of the unit.
3. Disconnect the power supply and remove the battery from the remote control.
4. Check components of the outdoor unit periodically. Contact a local dealer or a customer service centre if the unit requires servicing.

NOTE: Before you clean the air conditioner, be sure to switch off the unit and disconnect the power supply plug.

Optimal operation

To achieve optimal performance, please note the following:

- Adjust the direction of the air flow so that it is not blowing directly on people.
- Adjust the temperature to achieve the highest possible level of comfort. Do not adjust the unit to excessive temperature levels.
- Close doors and windows in COOL mode or HEAT mode.
- Use the TIMER ON button on the remote controller to select a time you want to start your air conditioner.
- Do not place any object near the air inlet or air outlet, as the efficiency of the air conditioner may be reduced and the air conditioner may stop running.
- Clean the air filter periodically, otherwise cooling or heating performance may be reduced.
- Do not operate unit with horizontal louvre in closed position.

Suggestion:

For units that feature an electric heater, when the outside ambient temperature is below 0°C (32°F), it is strongly recommended that you to keep the machine plugged in so as to guarantee smooth operation.

When the air conditioner is to be used again:

- Use a dry cloth to wipe off the dust accumulated on the rear air intake grille in order to avoid the dust being dispersed from the indoor unit.
- Check that the wiring is not broken off or disconnected.
- Check that the air filter is installed.
- Check if the air outlet or inlet is blocked after the air conditioner has not been used for a long time.

Troubleshooting



SAFETY PRECAUTIONS

If any of the following conditions occurs, turn off your unit immediately!

- The power cord is damaged or abnormally warm
- You smell a burning odor
- The unit emits loud or abnormal sounds
- A power fuse blows or the circuit breaker frequently trips
- Water or other objects fall into or out of the unit

DO NOT ATTEMPT TO FIX THESE YOURSELF! CONTACT AN AUTHORIZED SERVICE PROVIDER IMMEDIATELY!

Common Issues

The following problems are not a malfunction and in most situations will not require repairs.

Problem	Possible Causes
Unit does not turn on when pressing ON/OFF button	The unit has a 3-minute protection feature that prevents the unit from overloading. The unit cannot be restarted within three minutes of being turned off.
	Cooling and Heating Models: If the Operation light and PRE-DEF (Pre-heating/Defrost) indicators are lit up, the outdoor temperature is too cold and the unit's anti-cold wind is activated in order to defrost the unit.
	In Cooling-only Models: If the "Fan Only" indicator is lit up, the outdoor temperature is too cold and the unit's anti-freeze protection is activated in order to defrost the unit.
The unit changes from COOL mode to FAN mode	The unit changes its setting to prevent frost from forming on the unit. Once the temperature increases, the unit will start operating again.
	The set temperature has been reached, at which point the unit turns off the compressor. The unit will resume operating when the temperature fluctuates again.
The indoor unit emits white mist	In humid regions, a large temperature difference between the room's air and the conditioned air can cause white mist.
Both the indoor and outdoor units emit white mist	When the unit restarts in HEAT mode after defrosting, white mist may be emitted due to moisture generated from the defrosting process.

Problem	Possible Causes
The indoor unit makes noises	A squeaking sound is heard when the system is OFF or in COOL mode. The noise is also heard when the drain pump (optional) is in operation.
	A squeaking sound may occur after running the unit in HEAT mode due to expansion and contraction of the unit's plastic parts.
Both the indoor unit and outdoor unit make noises	A low hissing sound may occur during operation. This is normal and is caused by refrigerant gas flowing through both the indoor and outdoor units.
	A low hissing sound may be heard when the system starts, has just stopped running or is defrosting. This noise is normal and is caused by the refrigerant gas stopping or changing direction.
The outdoor unit makes noises	The unit will make different sounds based on its current operating mode.
Dust is emitted from either the indoor or outdoor unit	The unit may accumulate dust during extended periods of non-use, which will be emitted when the unit is turned on. This can be mitigated by covering the unit during long periods of inactivity.
The unit emits a bad odor	The unit may absorb odors from the environment (such as furniture, cooking, cigarettes, etc.) which will be emitted during operations.
	The unit's filters have become moldy and should be cleaned.
The fan of the outdoor unit does not operate	During operation, the fan speed is controlled to optimize product operation.

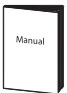



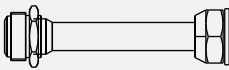

Troubleshooting Tips

When troubles occur, please check the following points before contacting a repair company.

Problem	Possible Causes	Solution
The unit is not working	Power failure	Wait for the power to be restored
	The power switch is off	Turn on the power
	The fuse is burned out	Replace the fuse
	Remote control batteries are dead	Replace the remote control batteries
	The unit's 3-minute protection has been activated	Wait three minutes after restarting the unit
Poor cooling performance	Temperature setting may be higher than the ambient room temperature	Lower the temperature setting
	The heat exchanger on the indoor or outdoor unit is dirty	Clean the affected heat exchanger
	The air filter is dirty	Remove the filter and clean it according to instructions
	The air inlet or outlet of either unit is blocked	Turn the unit off, remove the obstruction and turn it back on
	Doors and windows are open	Make sure that all doors and windows are closed while operating the unit
	Excessive heat is generated by sunlight	Close windows and curtains during periods of high heat or bright sunshine
	Low refrigerant due to leak or long-term use	Check for leaks, re-seal if necessary and top off refrigerant
The unit starts and stops frequently	There's too much or too little refrigerant in the system	Check for leaks and recharge the system with refrigerant
	There is air, incompressible gas or foreign material in the refrigeration system.	Evacuate and recharge the system with refrigerant
	System circuit is blocked	Determine which circuit is blocked and replace the malfunctioning piece of equipment
	The compressor is broken	Replace the compressor
	The voltage is too high or too low	Install a manostat to regulate the voltage
Poor heating performance	The outdoor temperature is lower than 7°C (44.5°F)	Check for leaks and recharge the system with refrigerant
	Cold air is entering through doors and windows	Make sure that all doors and windows are closed during use
	Low refrigerant due to leak or long-term use	Check for leaks, re-seal if necessary and top off refrigerant

Accessories

The air conditioning system comes with the following accessories. Use all of the installation parts and accessories to install the air conditioner. Improper installation may result in water leakage, electrical shock and fire, or cause the equipment to fail. The items are not included with the air conditioner must be purchased separately.

Name of Accessories	Q'ty(pc)	Shape	Name of Accessories	Q'ty(pc)	Shape
Manual	2~4		Drain joint (some models)	1	
Installation plate (some models)	1		Seal ring (some models)	1	
Plastic expansion sheath (some models)	5-8 (depending on models)		Magnetic ring (Hitch it on the connective cable between indoor unit and outdoor unit after installation.) (some models)	Varies by model	
Self-Tapping Screw A (some models)	5-8 (depending on models)				
Transfer connector (packed with the indoor or outdoor unit, depending on models) NOTE: Pipe size may differ from appliance to appliance. To meet different pipe size requirements, sometimes the pipe connections need a transfer connector installed on the outdoor unit .	Optional part (one piece/ one indoor unit) Optional part (1-5 pieces for outdoor unit, depending on models)		Cord protection rubber ring (If the cord clamp cannot fasten on a small cord, use the cord protection rubber ring [supplied with accessories] to wrap around the cord. Then fix it in place with the cord clamp.) (some models)	1	

Accessories

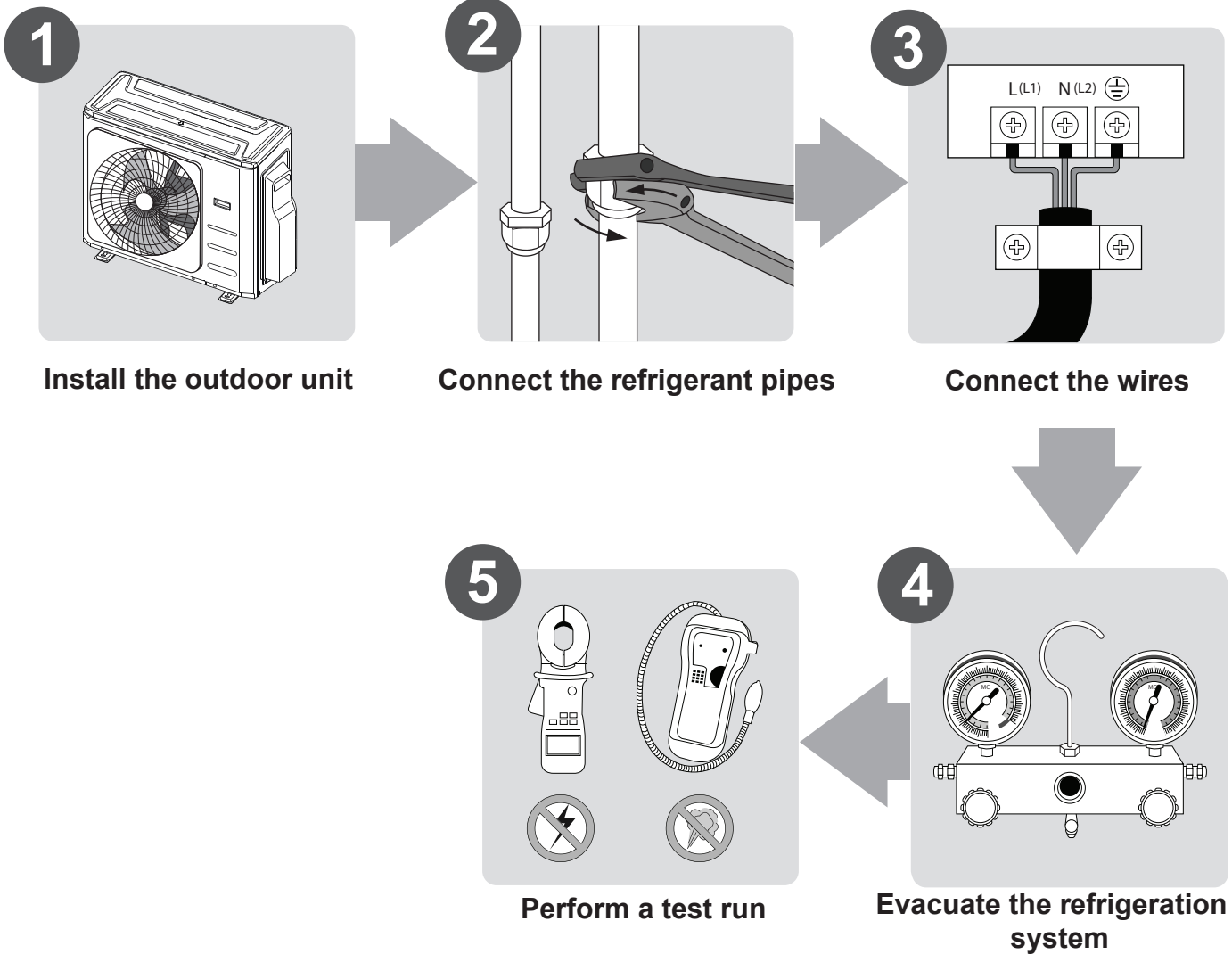
Optional accessories

- There are two types of remote controls: wired and wireless. Select a remote controller based on customer preferences and requirements and install in an appropriate place. Refer to catalogues and technical literature for guidance on selecting a suitable remote controller.

Name	Shape	Quantity(PC)
Connecting pipe assembly	Liquid side	Φ 6.35 (1/4 in)
		Φ 9.52 (3/8 in)
	Gas side	Φ 9.52 (3/8 in)
		Φ 12.7 (1/2 in)
		Φ 16 (5/8 in)
		Parts you must purchase separately. Consult the dealer about the proper pipe size of the unit you purchased.

Installation Summary

INSTALLATION ORDER



Installation
Summary

Specifications

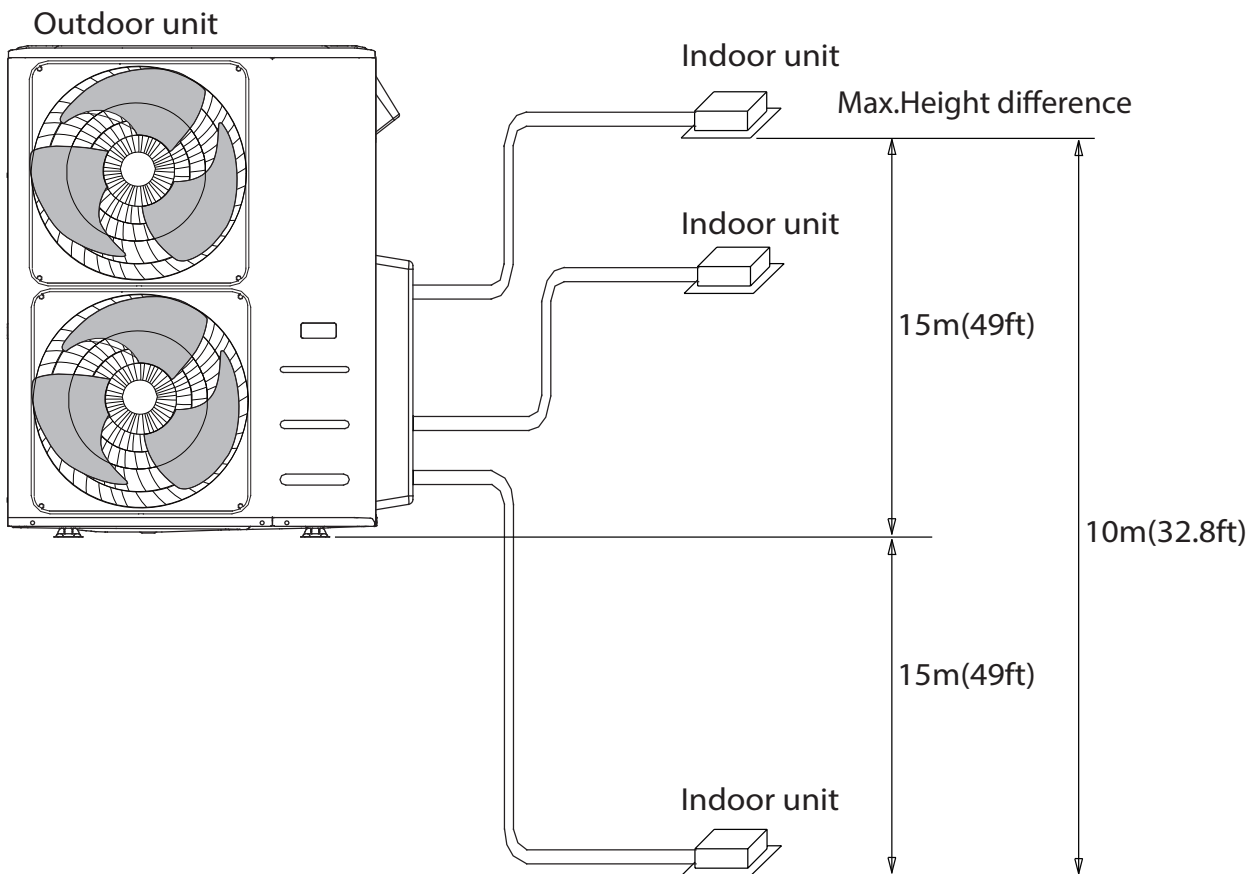
Number of units that can be used together	Connected units	1-5 units
Compressor stop/start frequency	Stop time	3 min or more
Power source voltage	voltage fluctuation	within $\pm 10\%$ of rated voltage
	voltage drop during start	within $\pm 15\%$ of rated voltage
	interval unbalance	within $\pm 3\%$ of rated voltage

Unit: m/ft.

	1 drive 2	1 drive 3	1 drive 4	1 drive 5
Max. length for all rooms	40/131	60/197	80/262	80/262
Max. length for one indoor unit	25/82	30/98	35/115	35/115
Max. height different between indoor and outdoor unit	15/49	15/49	15/49	15/49
Max. height different between indoor units	10/33	10/33	10/33	10/33

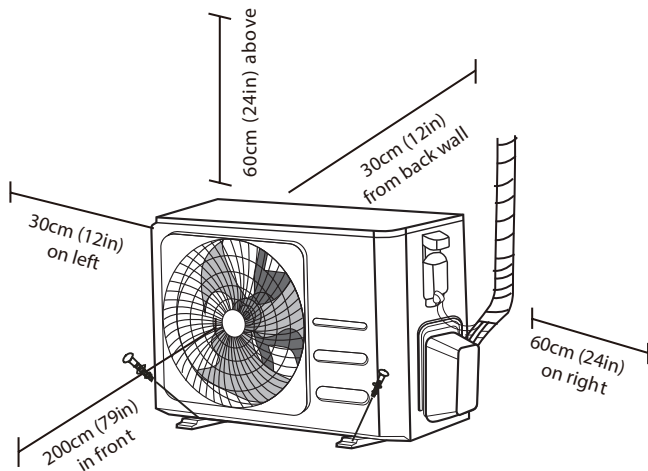
NOTE: The Max. length for one indoor unit with Quick connector is 15 meters.

When installing multiple indoor units with a single outdoor unit, ensure that the length of the refrigerant pipe and the drop height between the indoor and outdoor units meet the requirements illustrated in the following diagram:



Outdoor Unit Installation

Install the unit by following local codes and regulations, there may be differ slightly between different regions.



Installation Instructions – Outdoor unit

Step 1: Select installation location

Before installing the outdoor unit, you must choose an appropriate location. The following are standards that will help you choose an appropriate location for the unit.

Proper installation locations meet the following standards:

- ☑ Meets all spatial requirements shown in Installation Space Requirements above.
- ☑ Good air circulation and ventilation
- ☑ Firm and solid—the location can support the unit and will not vibrate
- ☑ Noise from the unit will not disturb others
- ☑ Protected from prolonged periods of direct sunlight or rain
- ☑ Where snowfall is anticipated, raise the unit above the base pad to prevent ice buildup and coil damage. Mount the unit high enough to be above the average accumulated area snowfall. The minimum height must be 18 inches

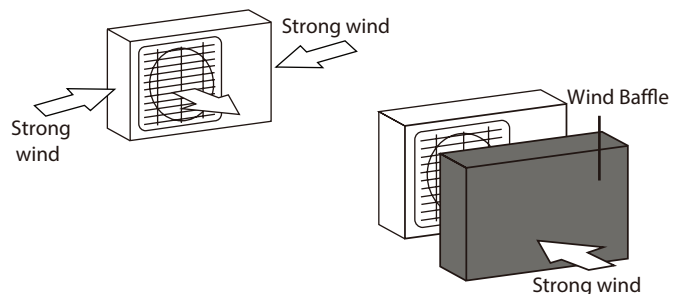
DO NOT install unit in the following locations:

- ⊘ Near an obstacle that will block air inlets and outlets
- ⊘ Near a public street, crowded areas, or where noise from the unit will disturb others
- ⊘ Near animals or plants that will be harmed by hot air discharge
- ⊘ Near any source of combustible gas
- ⊘ In a location that is exposed to large amounts of dust
- ⊘ In a location exposed to a excessive amounts of salty air

SPECIAL CONSIDERATIONS FOR EXTREME WEATHER

If the unit is exposed to heavy wind:

Install unit so that air outlet fan is at a 90° angle to the direction of the wind. If needed, build a barrier in front of the unit to protect it from extremely heavy winds. See Figures below.



If the unit is frequently exposed to heavy rain or snow:

Build a shelter above the unit to protect it from the rain or snow. Be careful not to obstruct air flow around the unit.

If the unit is frequently exposed to salty air (seaside):

Use outdoor unit that is specially designed to resist corrosion.

Step 2: Install drain joint (Heat pump unit only)

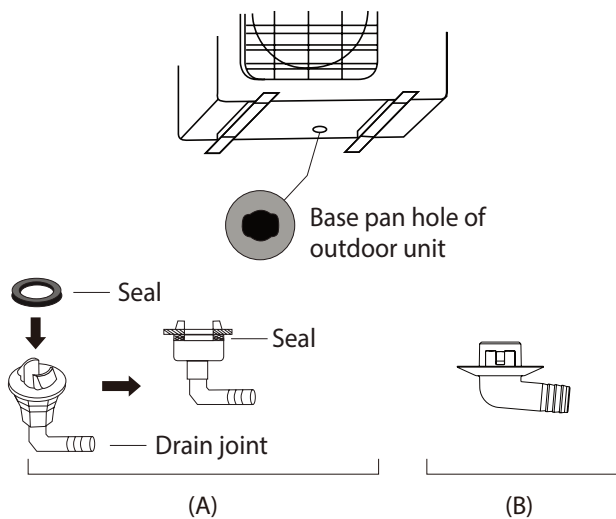
Before bolting the outdoor unit in place, you must install the drain joint at the bottom of the unit. Note that there are two different types of drain joints depending on the type of outdoor unit.

If the drain joint comes with a rubber seal (see **Fig. A**), do the following:

1. Fit the rubber seal on the end of the drain joint that will connect to the outdoor unit.
2. Insert the drain joint into the hole in the base pan of the unit.
3. Rotate the drain joint 90° until it clicks in place facing the front of the unit.
4. Connect a drain hose extension (not included) to the drain joint to redirect water from the unit during heating mode.

If the drain joint doesn't come with a rubber seal (see **Fig. B**), do the following:

1. Insert the drain joint into the hole in the base pan of the unit. The drain joint will click in place.
2. Connect a drain hose extension (not included) to the drain joint to redirect water from the unit during heating mode.



! IN COLD CLIMATES

In cold climates, make sure that the drain hose is as vertical as possible to ensure swift water drainage. If water drains too slowly, it can freeze in the hose and flood the unit.

Step 3: Anchor outdoor unit

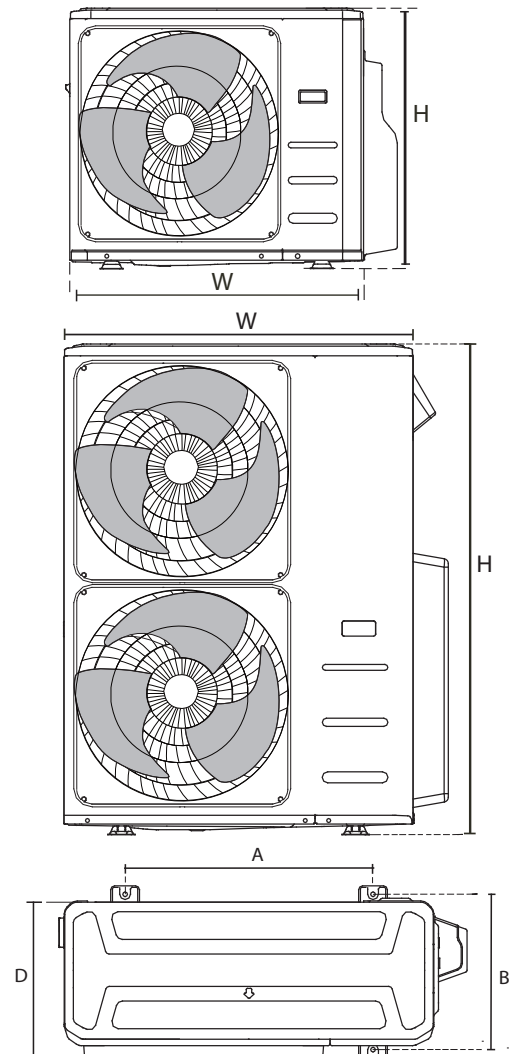
The outdoor unit can be anchored to the ground or to a wall-mounted bracket with bolt(M10). Prepare the installation base of the unit according to the dimensions below.

UNIT MOUNTING DIMENSIONS

The following is a list of different outdoor unit sizes and the distance between their mounting feet. Prepare the installation base of the unit according to the dimensions below.

Outdoor Unit Types and Specifications

Split Type Outdoor Unit



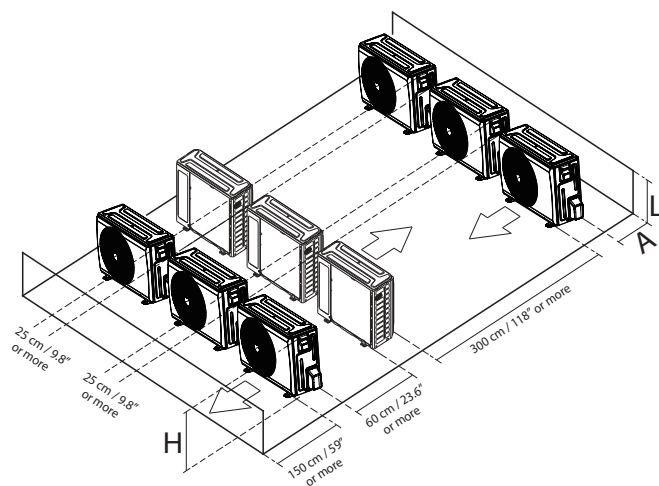
(unit: mm/inch)

Outdoor Unit Dimensions W x H x D	Mounting Dimensions	
	Distance A	Distance B
760x590x285 (29.9x23.2x11.2)	530 (20.85)	290 (11.4)
810x558x310 (31.9x22x12.2)	549 (21.6)	325 (12.8)
845x700x320 (33.27x27.5x12.6)	560 (22)	335 (13.2)
900x860x315 (35.4x33.85x12.4)	590 (23.2)	333 (13.1)
945x810x395 (37.2x31.9x15.55)	640 (25.2)	405 (15.95)
990x965x345 (38.98x38x13.58)	624 (24.58)	366 (14.4)
938x1369x392 (36.93x53.9x15.43)	634 (24.96)	404 (15.9)
900x1170x350 (35.4x46x13.8)	590 (23.2)	378 (14.88)
800x554x333 (31.5x21.8x13.1)	514 (20.24)	340 (13.39)
845x702x363 (33.27x27.6x14.3)	540 (21.26)	350 (13.8)
946x810x420 (37.2x31.9x16.53)	673 (26.5)	403 (15.87)
946x810x410 (37.2x31.9x16.14)	673 (26.5)	403 (15.87)
952x1333x410 (37.5x52.5x16.14)	634 (24.96)	404 (15.9)
952x1333x415 (37.5x52.5x16.14)	634 (24.96)	404 (15.9)
890x673x342 (35.0"x 26.5"x 13.5")	663 (26.1")	354 (13.9")

Rows of series installation

The relations between H, A and L are as follows.

	L	A
L ≤ H	$L \leq 1/2H$	25 cm / 9.8" or more
	$1/2H < L \leq H$	30 cm / 11.8" or more
L > H	Can not be installed	



Notes On Drilling Hole In Wall

You must drill a hole in the wall for the refrigerant piping, and the signal cable that will connect the indoor and outdoor units.

1. Determine the location of the wall hole based on the location of the outdoor unit.
2. Using a 65-mm (2.5") core drill, drill a hole in the wall.

NOTE: When drilling the wall hole, make sure to avoid wires, plumbing, and other sensitive components.

3. Place the protective wall cuff in the hole. This protects the edges of the hole and helps seal it when you finish the installation process.

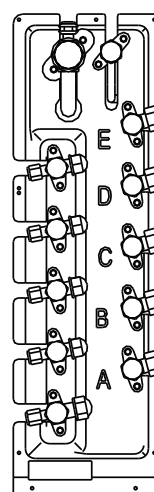
When Select a 24K Indoor Unit

The 24K indoor unit can only be connected with an A system. If there are two 24K indoor units, they can be connected with A and B systems.

Connective pipe size of an A and B system

(unit: inch)

Indoor Unit capacity (Btu/h)	Liquid	Gas
7K/9K/12K	1/4	3/8
12K/18K	1/4	1/2
24K	3/8	5/8



Outdoor Unit Installation

Refrigerant Piping Connection

NOTE: For quick-connect models, please refer to the internal machine manual for the installation method of the connecting pipe. The external machine manual does not repeat the instructions.

When connecting refrigerant piping, **do not** let substances or gases other than the specified refrigerant enter the unit. The presence of other gases or substances will lower the unit's capacity, and can cause abnormally high pressure in the refrigeration cycle. This can cause explosion and injury.

Connection Instructions – Refrigerant Piping

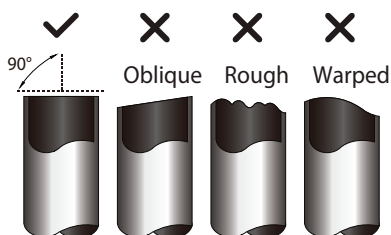
⚠ CAUTION

- The branching pipe must be installed horizontally. An angle of more than 10° may cause malfunction.
- **DO NOT** install the connecting pipe until both indoor and outdoor units have been installed.
- Insulate both the gas and liquid piping to prevent water leakage.

Step 1: Cut pipes

When preparing refrigerant pipes, take extra care to cut and flare them properly. This will ensure efficient operation and minimize the need for future maintenance.

1. Measure the distance between the indoor and outdoor units.
2. Using a pipe cutter, cut the pipe a little longer than the measured distance.
3. Make sure that the pipe is cut at a perfect 90° angle.



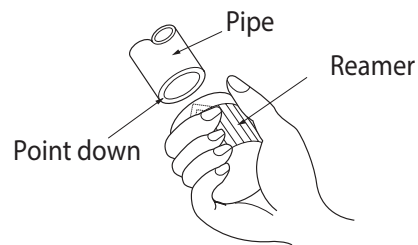
⊘ DO NOT DEFORM PIPE WHILE CUTTING

Be extra careful not to damage, dent, or deform the pipe while cutting. This will drastically reduce the heating efficiency of the unit.

Step 2: Remove burrs.

Burrs can affect the air-tight seal of refrigerant piping connection. They must be completely removed.

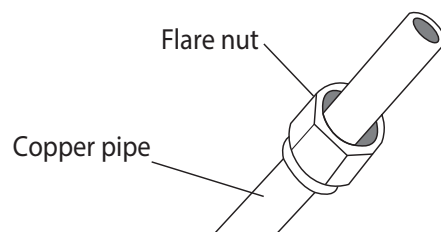
1. Hold the pipe at a downward angle to prevent burrs from falling into the pipe.
2. Using a reamer or deburring tool, remove all burrs from the cut section of the pipe.



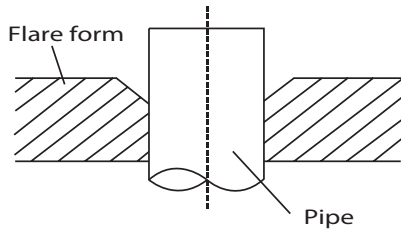
Step 3: Flare pipe ends

Proper flaring is essential to achieve an airtight seal.

1. After removing burrs from cut pipe, seal the ends with PVC tape to prevent foreign materials from entering the pipe.
2. Sheath the pipe with insulating material.
3. Place flare nuts on both ends of pipe. Make sure they are facing in the right direction, because you can't put them on or change their direction after flaring.



- Remove PVC tape from ends of pipe when ready to perform flaring work.
- Clamp flare form on the end of the pipe. The end of the pipe must extend beyond the flare form.



- Place flaring tool onto the form.
- Turn the handle of the flaring tool clockwise until the pipe is fully flared. Flare the pipe in accordance with the dimensions.

PIPING EXTENSION BEYOND FLARE FORM

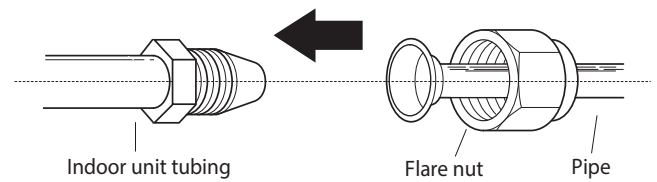
Pipe gauge	Tightening torque (Unit: mm/Inch)	Flare dimension (A) (Unit: mm/Inch)		Flare shape
		Min.	Max.	
Ø 6.4	18-20 N.m (183-204 kgf.cm)	8.4/0.33	8.7/0.34	
Ø 9.5	25-26 N.m (255-265 kgf.cm)	13.2/0.52	13.5/0.53	
Ø 12.7	35-36 N.m (357-367 kgf.cm)	16.2/0.64	16.5/0.65	
Ø 15.9	45-47 N.m (459-480 kgf.cm)	19.2/0.76	19.7/0.78	
Ø 19.1	65-67 N.m (663-683 kgf.cm)	23.2/0.91	23.7/0.93	
Ø 22	75-85 N.m (765-867 kgf.cm)	26.4/1.04	26.9/1.06	

- Remove the flaring tool and flare form, then inspect the end of the pipe for cracks and even flaring.

Step 4: Connect pipes

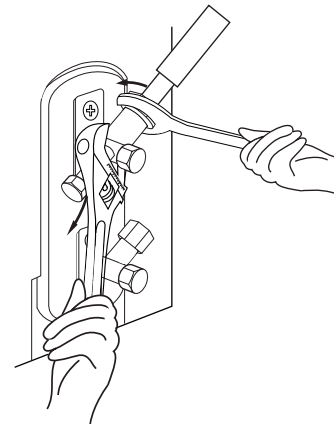
Connect the copper pipes to the indoor unit first, then connect it to the outdoor unit. You should first connect the low-pressure pipe, then the high-pressure pipe.

- When connecting the flare nuts, apply a thin coat of refrigeration oil to the flared ends of the pipes.
- Align the center of the two pipes that you will connect.



- Tighten the flare nut as tightly as possible by hand.
- Using a spanner, grip the nut on the unit tubing.
- While firmly gripping the nut, use a torque wrench to tighten the flare nut according to the torque values in above table.

NOTE: Use both a spanner and a torque wrench when connecting or disconnecting pipes to/from the unit.



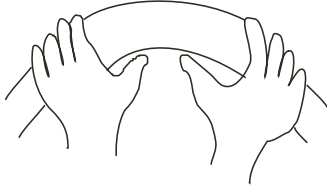
CAUTION

- Ensure to wrap insulation around the piping. Direct contact with the bare piping may result in burns or frostbite.
- Make sure the pipe is properly connected. Over tightening may damage the bell mouth and under tightening may lead to leakage.

NOTE ON MINIMUM BEND RADIUS

Carefully bend the tubing in the middle according to the diagram below. **DO NOT** bend the tubing more than 90° or more than 3 times.

Bend the pipe with thumb



min-radius 10cm (3.9")

6. After connecting the copper pipes to the indoor unit, wrap the power cable, signal cable and the piping together with binding tape.

NOTE: DO NOT intertwine signal cable with other wires. While bundling these items together, do not intertwine or cross the signal cable with any other wiring.

7. Thread this pipeline through the wall and connect it to the outdoor unit.
8. Insulate all the piping, including the valves of the outdoor unit.
9. Open the stop valves of the outdoor unit to start the flow of the refrigerant between the indoor and outdoor unit.

! CAUTION

Check to make sure there is no refrigerant leak after completing the installation work. If there is a refrigerant leak, ventilate the area immediately and evacuate the system (refer to the Air Evacuation section of this manual).

Wiring

! BEFORE PERFORMING ANY ELECTRICAL WORK, READ THESE REGULATIONS

1. All wiring must comply with local and national electrical codes, regulations and must be installed by a licensed electrician.
2. All electrical connections must be made according to the Electrical Connection Diagram located on the panels of the indoor and outdoor units.
3. If there is a serious safety issue with the power supply, stop work immediately. Explain your reasoning to the client, and refuse to install the unit until the safety issue is properly resolved.
4. Power voltage should be within 90-110% of rated voltage. Insufficient power supply can cause malfunction, electrical shock, or fire.
5. If connecting power to fixed wiring, a surge protector and main power switch should be installed.
6. If connecting power to fixed wiring, a switch or circuit breaker that disconnects all poles and has a contact separation of at least 1/8in (3mm) must be incorporated in the fixed wiring. The qualified technician must use an approved circuit breaker or switch.
7. Only connect the unit to an individual branch circuit outlet. Do not connect another appliance to that outlet.
8. Make sure to properly ground the air conditioner.
9. Every wire must be firmly connected. Loose wiring can cause the terminal to overheat, resulting in product malfunction and possible fire.
10. Do not let wires touch or rest against refrigerant tubing, the compressor, or any moving parts within the unit.
11. If the unit has an auxiliary electric heater, it must be installed at least 1 meter (40in) away from any combustible materials.
12. To avoid getting an electric shock, never touch the electrical components soon after the power supply has been turned off. After turning off the power, always wait 10 minutes or more before you touch the electrical components.

13. Make sure that you do not cross your electrical wiring with your signal wiring. This may cause distortion and interference.
14. The unit must be connected to the main outlet. Normally, the power supply must have a impedance of 32 ohms.
15. No other equipment should be connected to the same power circuit.
16. Connect the outdoor wires before connecting the indoor wires.

! WARNING

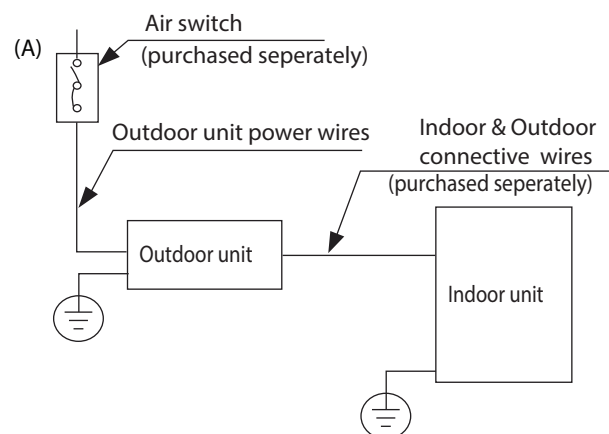
BEFORE PERFORMING ANY ELECTRICAL OR WIRING WORK, TURN OFF THE MAIN POWER TO THE SYSTEM.

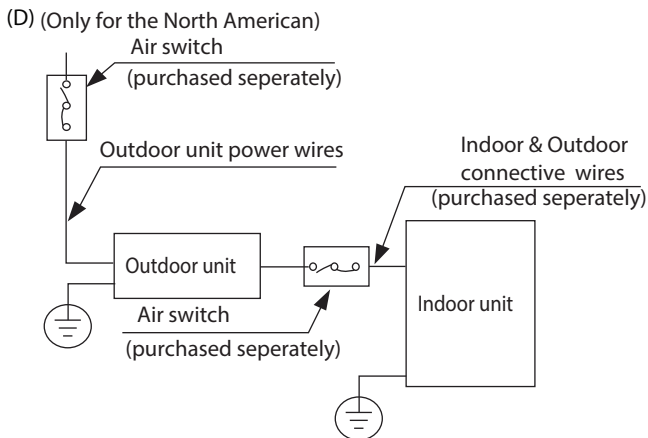
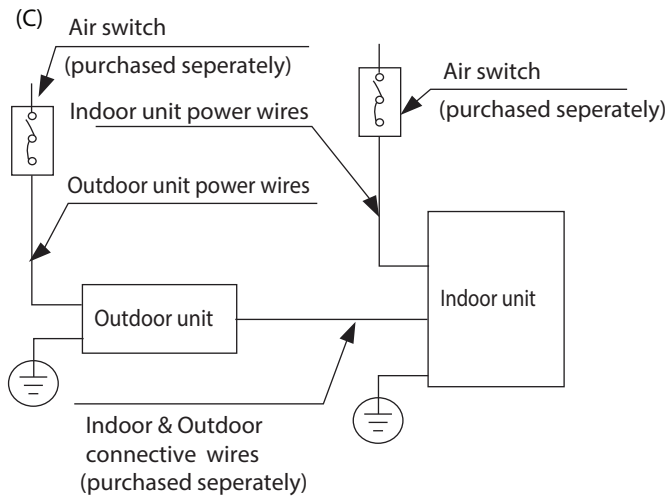
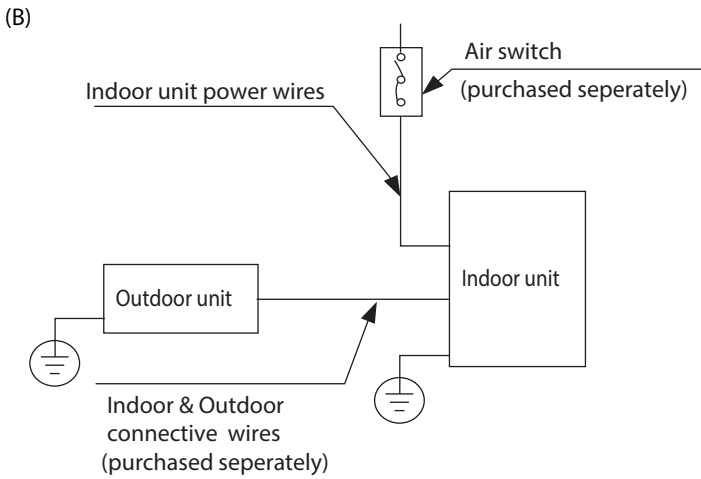
NOTE ON AIR SWITCH

When the maximum current of the air conditioner is more than 16A, an air switch or leakage protection switch with protective device shall be used (purchased separately).

When the maximum current of the air conditioner is less than 16A, the power cord of air conditioner shall be equipped with plug (purchased separately).

The North American market is wired according to NEC and CEC requirements.





NOTE: The cognographs are for explanation purpose only. Your machine may be slightly different. The actual shape shall prevail.

Outdoor Unit Wiring

WARNING

Before performing any electrical or wiring work, turn off the main power to the system.

1. Prepare the cable for connection
 - a. You must first choose the right cable size. Be sure to use H07RN-F cables.

NOTE: In North America, choose the cable type according to the local electrical codes and regulations.

Minimum Cross-Sectional Area of Power and Signal Cables (For reference)

Rated Current of Appliance (A)	Nominal Cross-Sectional Area (mm ²)
> 3 and ≤ 6	0.75
> 6 and ≤ 10	1
> 10 and ≤ 16	1.5
> 16 and ≤ 25	2.5
> 25 and ≤ 32	4
> 32 and ≤ 40	6

CHOOSE THE RIGHT CABLE SIZE

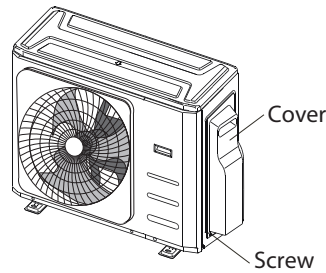
The size of the power supply cable, signal cable, fuse, and switch needed is determined by the maximum current of the unit. The maximum current is indicated on the nameplate located on the side panel of the unit. Refer to this nameplate to choose the right cable, fuse, or switch.

NOTE: In North America, please choose the right cable size according to the Minimum Circuit Ampacity indicated on the nameplate of the unit.

- b. Using wire strippers, strip the rubber jacket from both ends of the signal cable to reveal approximately 15cm (5.9") of wire.
- c. Strip the insulation from the ends.
- d. Using a wire crimper, crimp u-lugs on the ends.

NOTE: When connecting the wires, strictly follow the wiring diagram found inside the electrical box cover.

- Remove the electric cover of the outdoor unit. If there is no cover on the outdoor unit, take off the bolts from the maintenance board and remove the protection board.



- Connect the u-lugs to the terminals Match the wire colors/labels with the labels on the terminal block, and firmly screw the u-lug of each wire to its corresponding terminal.
- Clamp down the cable with designated cable clamp.
- Insulate unused wires with electrical tape. Keep them away from any electrical or metal parts.
- Reinstall the cover of the electric control box.

Harmonic declaration

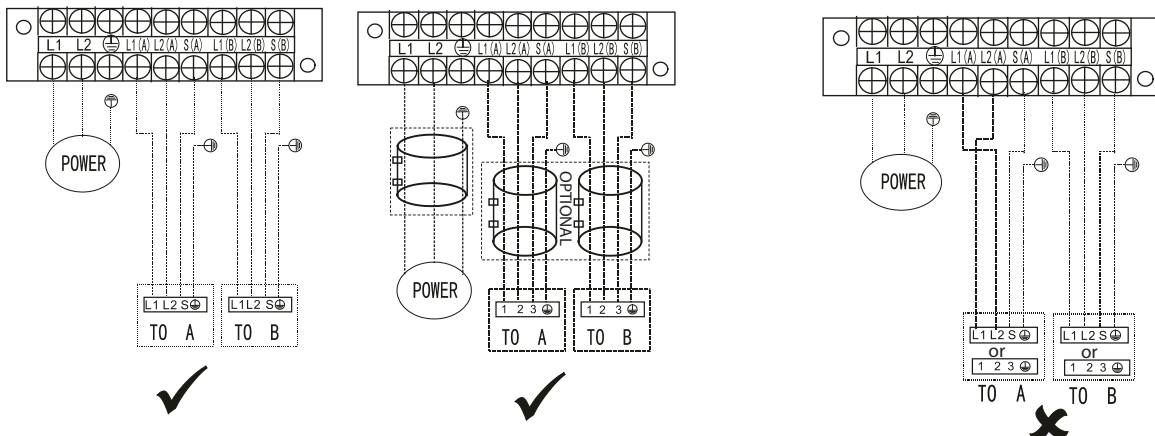
"The equipment M4OB-36HFN8-Q complies with IEC 61000-3-12 provided that the shortcircuit power S_{sc} is greater than or equal to 4787737.5 at the interface point between the user's supply and the public system. It is the responsibility of the installer or user of the equipment to ensure, by consultation with the distribution network operator if necessary, that the equipment is connected only to a supply with a short-circuit power S_{sc} greater than or equal to 4787737.5."

"The equipment M5OD-42HFN8-Q complies with IEC 61000-3-12 provided that the shortcircuit power S_{sc} is greater than or equal to 3190042.5 at the interface point between the user's supply and the public system. It is the responsibility of the installer or user of the equipment to ensure, by consultation with the distribution network operator if necessary, that the equipment is connected only to a supply with a short-circuit power S_{sc} greater than or equal to 3190042.5."

Wiring Figure

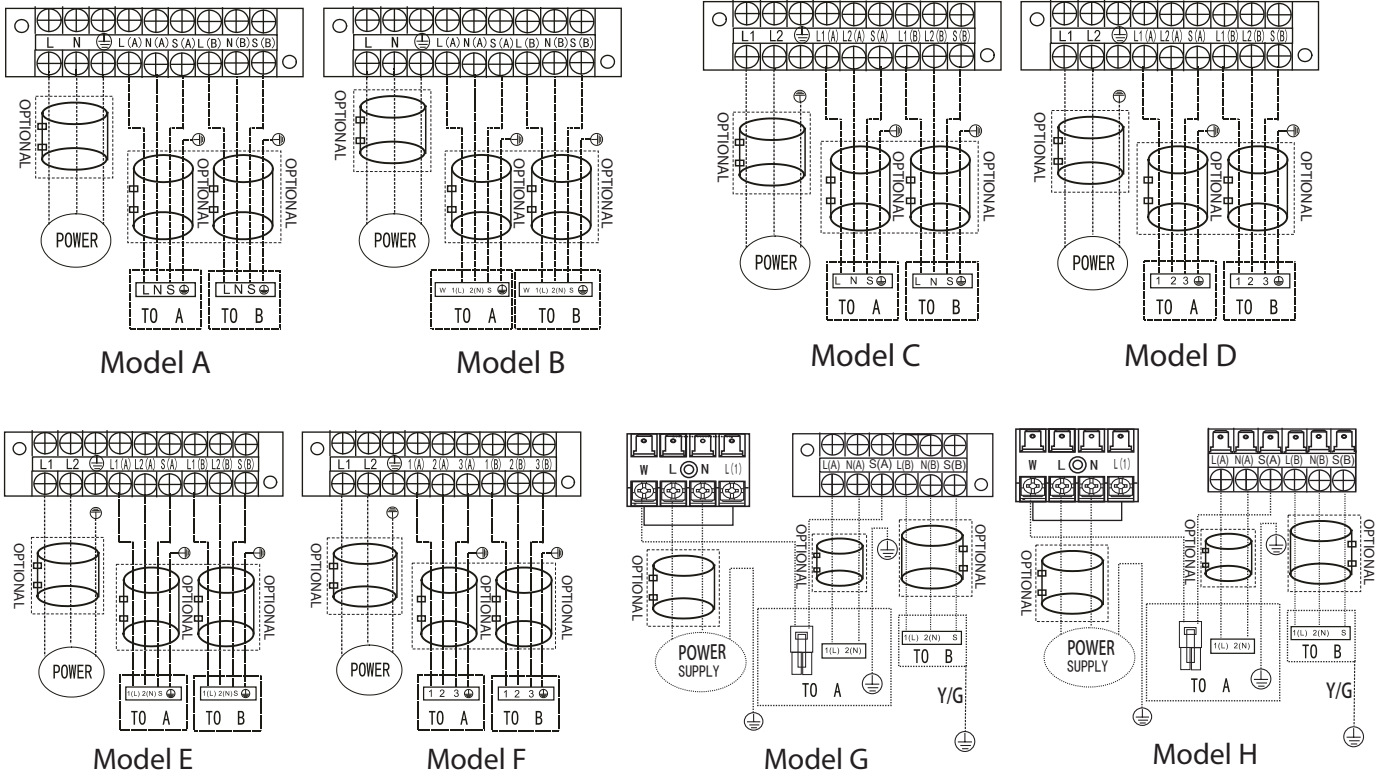
⚠ CAUTION

Connect the connective cables to the terminals, as identified, with their matching numbers on the terminal block of the indoor and outdoor units. For example, Terminal L1(A) of the outdoor unit must connect with terminal L1/1 on the indoor unit. The outdoor unit can match different types of indoor unit, the numbers on the terminal block of the indoor unit may be slightly different. Please pay special attention while connecting the wire.

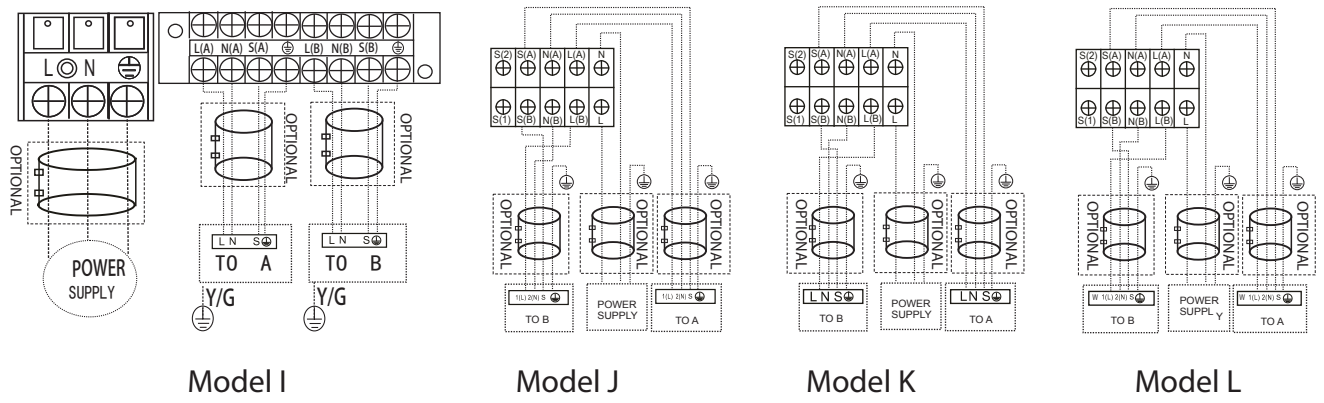


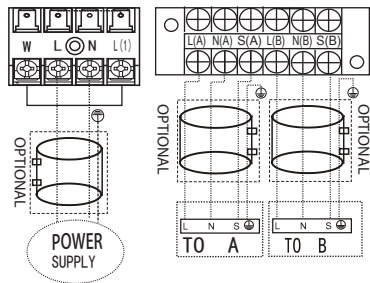
NOTE: Refer to the following figures if end-users wish to perform their own wiring.
Run the main power cord through the lower line-outlet of the cord clamp.
---- This symbol indicates field wiring.

One-two models:

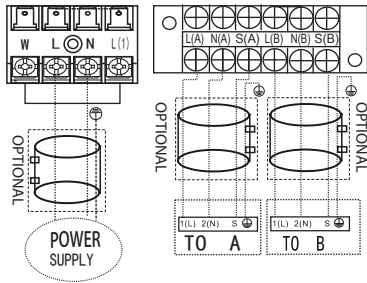


NOTE: Use the magnetic ring (not supplied, optional part) to hitch the connective cable of indoor and outdoor units after installation. One magnetic ring is used for one cable.

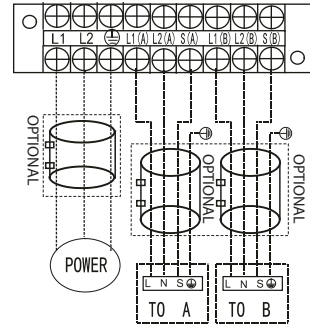




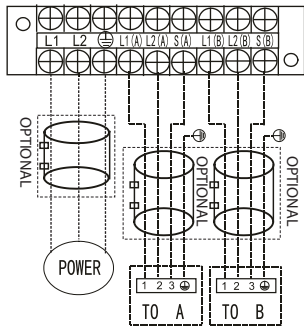
Model M



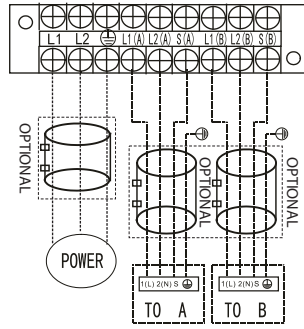
Model N



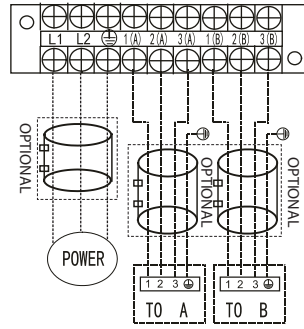
Model O



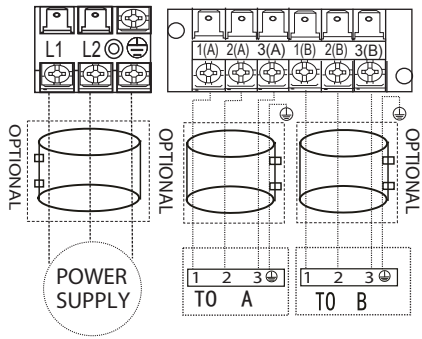
Model P



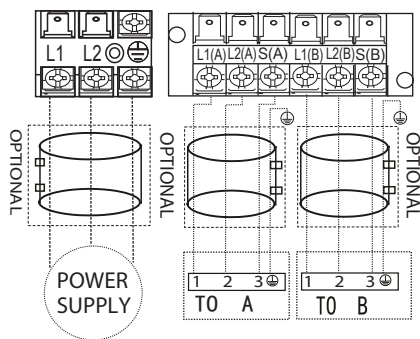
Model Q



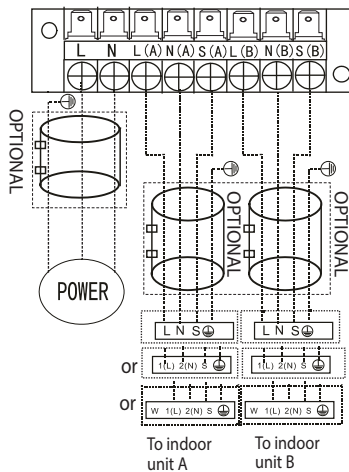
Model R



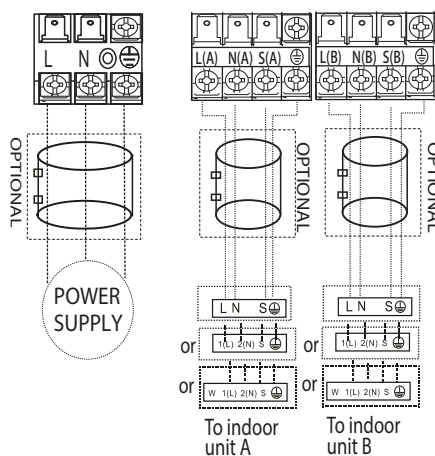
Model S



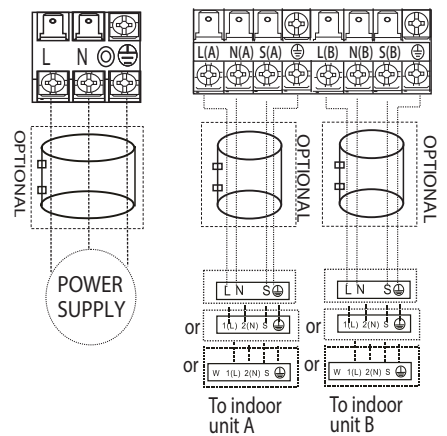
Model T



Model U

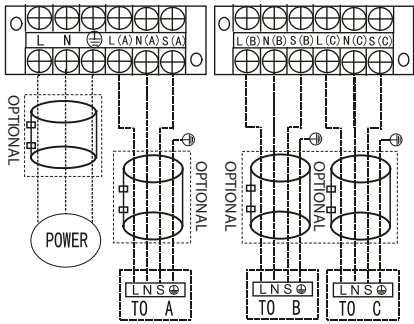


Model V

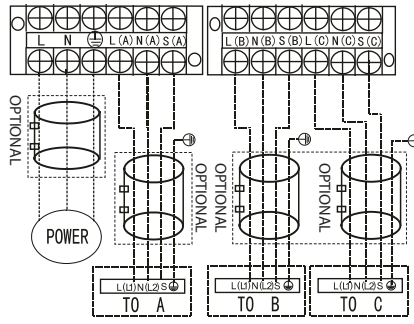


Model W

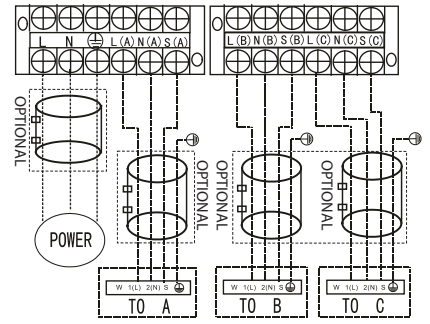
One-three models:



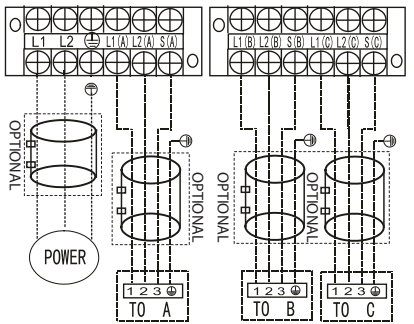
Model A



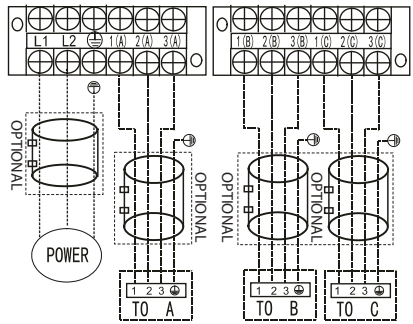
Model B



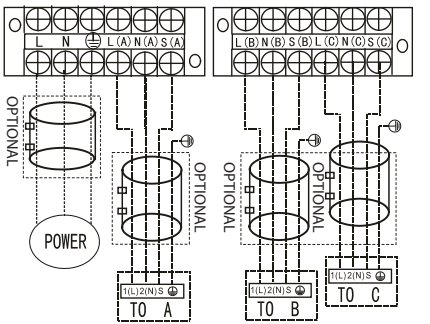
Model C



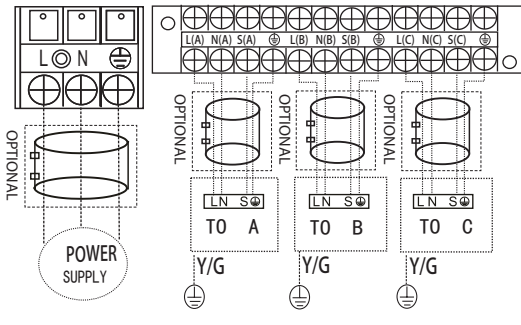
Model D



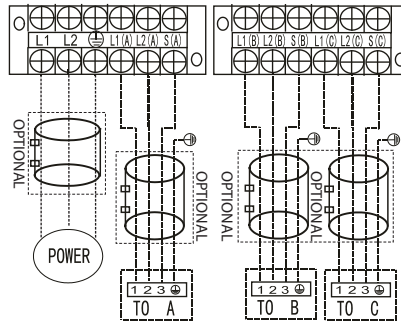
Model E



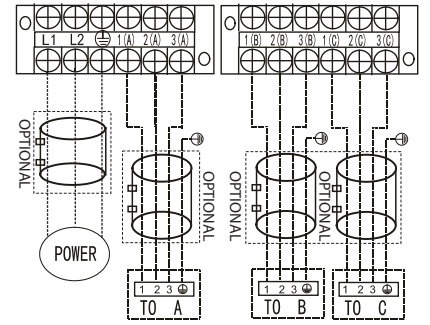
Model F



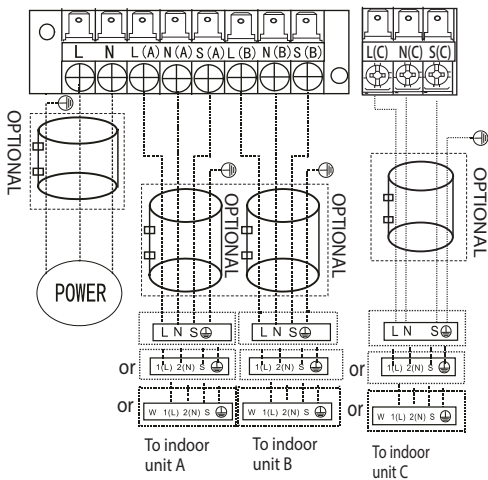
Model G



Model H

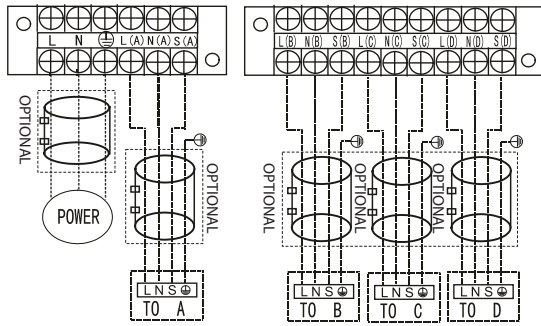


Model I

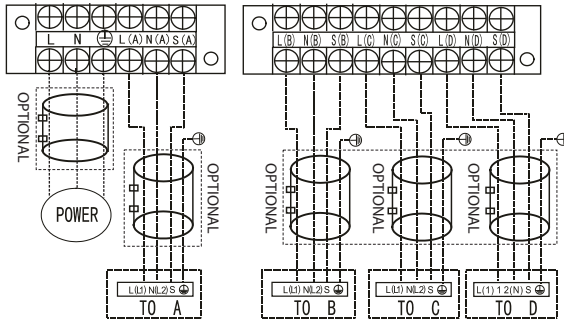


Model J

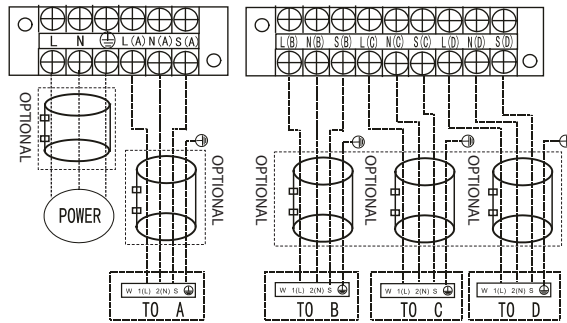
One-four models:



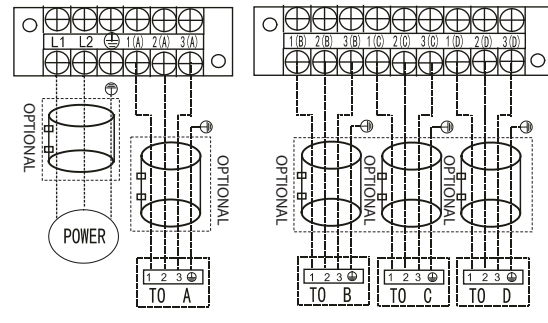
Model A



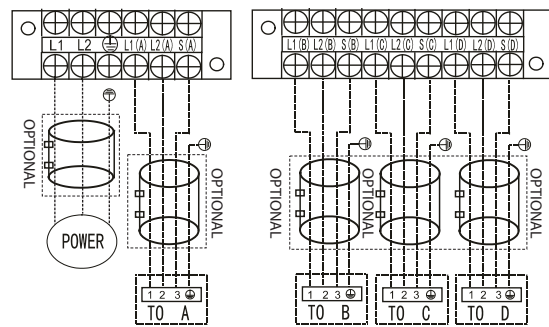
Model B



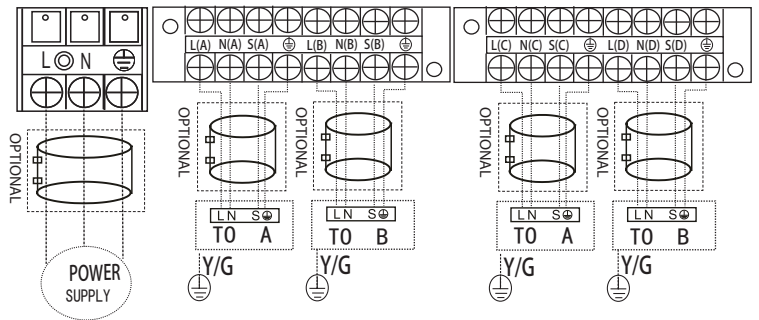
Model C



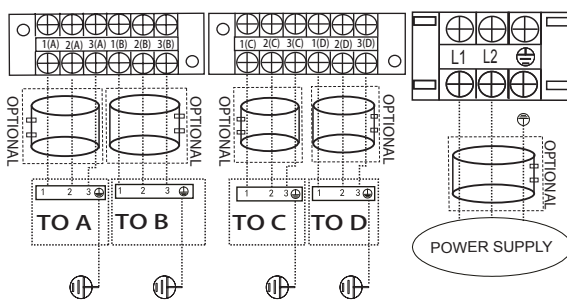
Model D



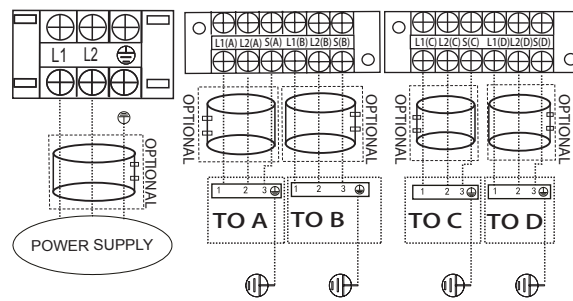
Model E



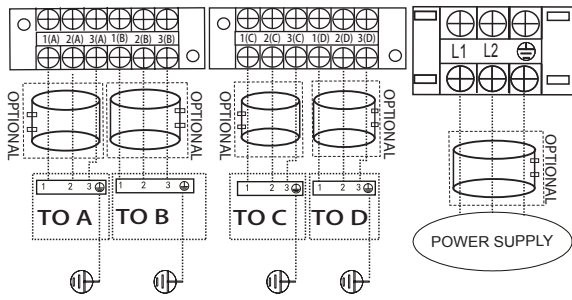
Model F



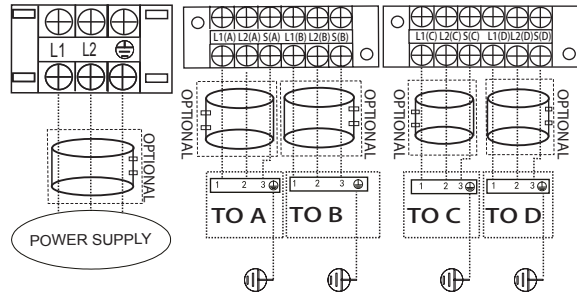
Model G



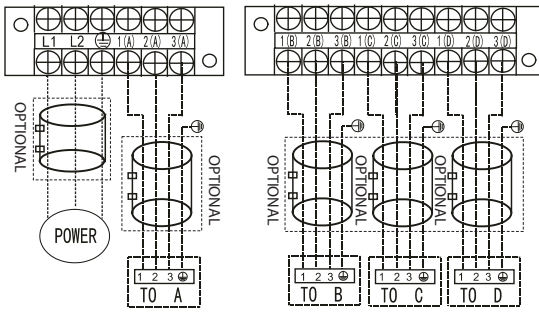
Model H



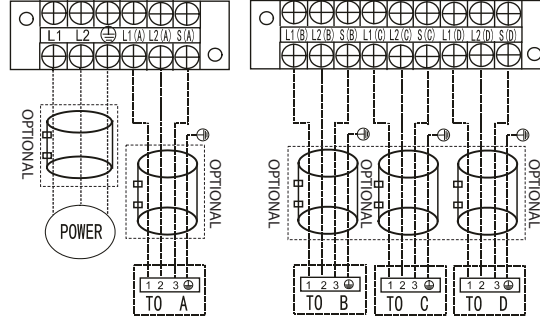
Model I



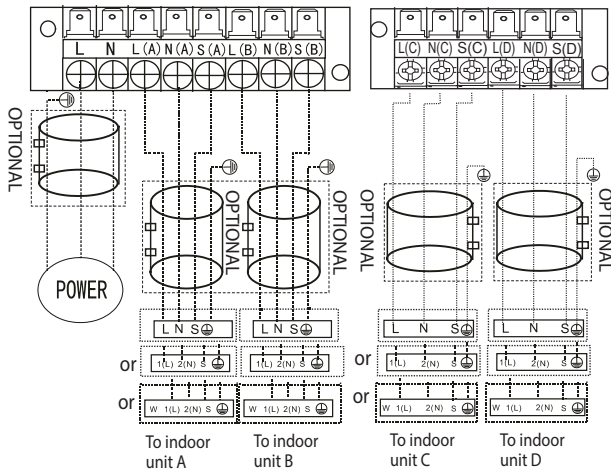
Model J



Mode K

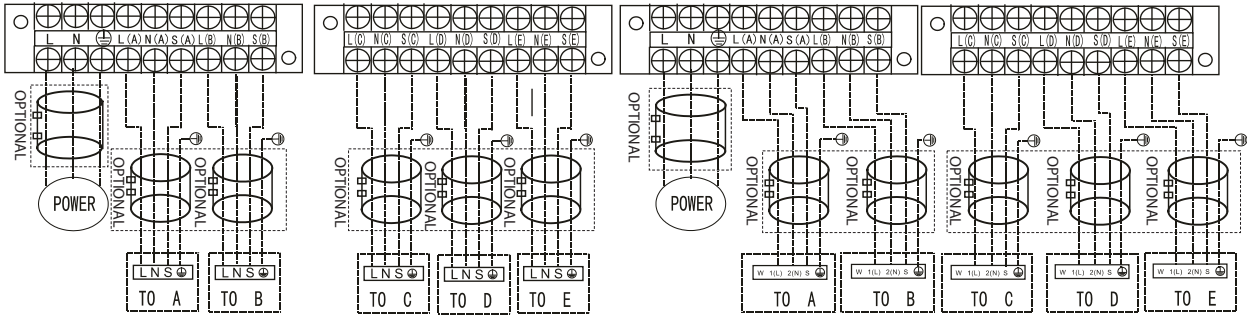


Model L



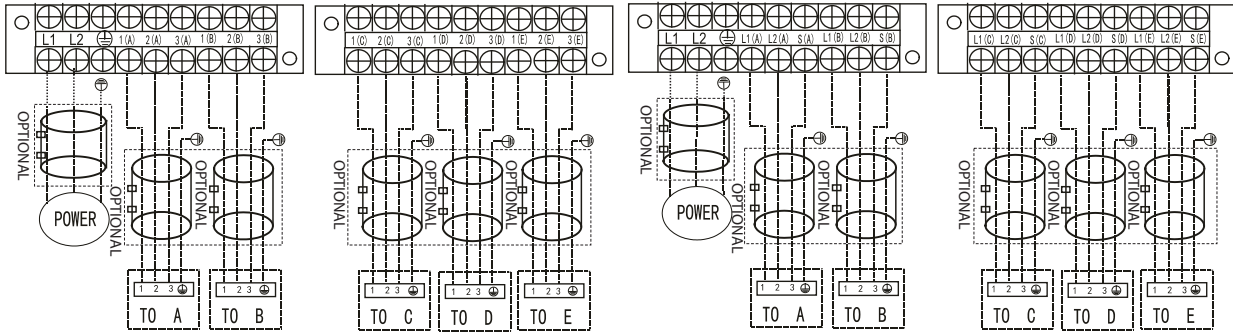
Model M

One-five models:



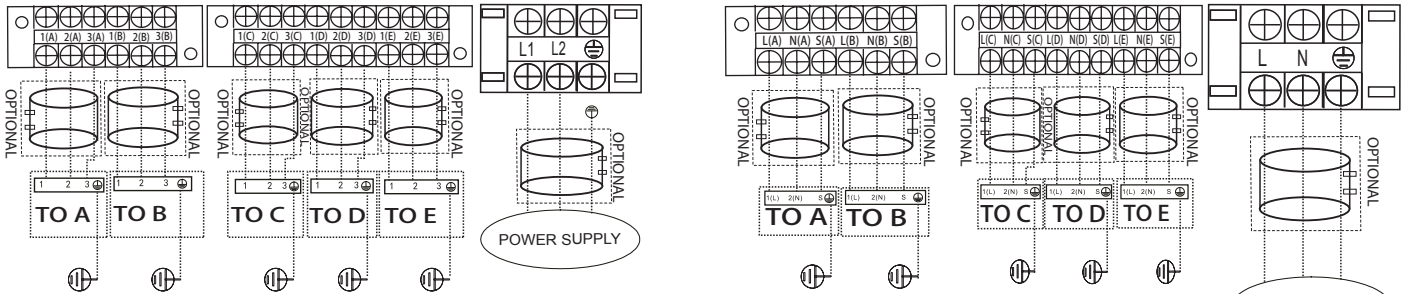
Model A

Model B



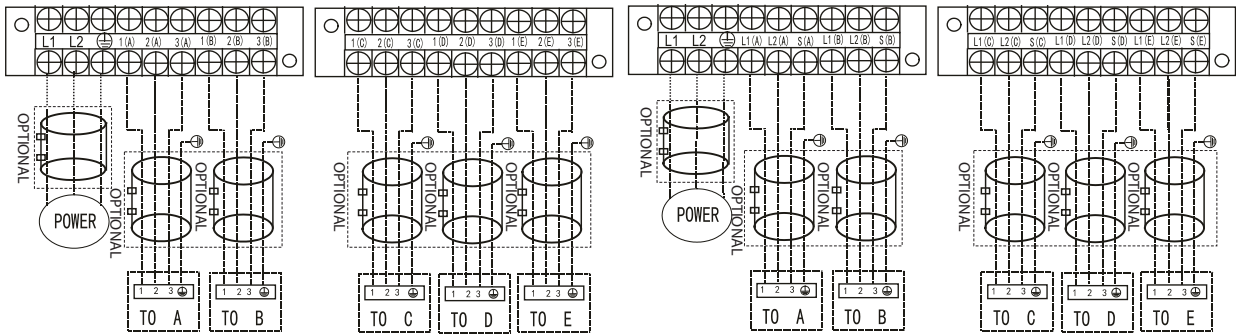
Model C

Model D



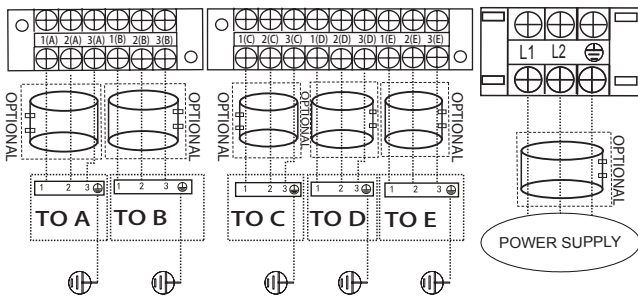
Model E

Model F

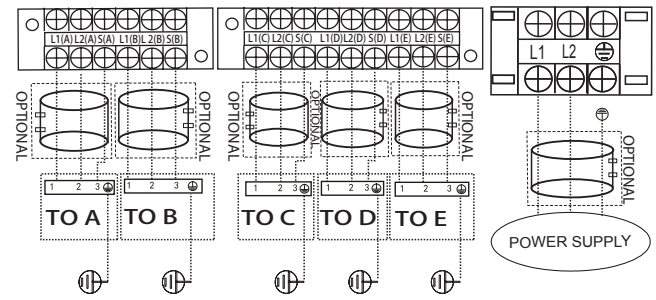


Model G

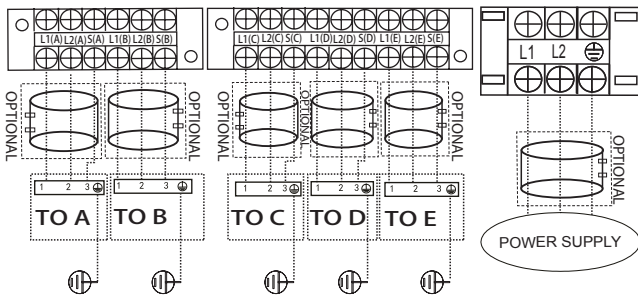
Model H



Model I



Model J



Model K

⚠ CAUTION

After confirmation of the above conditions, follow these guidelines when performing wiring:

- Always have an individual power circuit specifically for the air conditioner. Always follow the circuit diagram posted on the inside of the control cover.
- Screws fastening the wiring in the casing of electrical fittings may come loose during transportation. Because loose screws may cause wire burn-out, check that the screws are tightly fastened.
- Check the specifications for the power source.
- Confirm that electrical capacity is sufficient.
- Confirm that starting voltage is maintained at more than 90 percent of the rated voltage marked on the name plate.
- Confirm that the cable thickness is as specified in the power source specifications.
- Always install an earth leakage circuit breaker in wet or moist areas.
- The following can be caused by a drop in voltage: vibration of a magnetic switch, damaging the contact point, broken fuses, and disturbance of normal functioning.
- Disconnection from a power supply must be incorporated into the fixed wiring. It must have an air gap contact separation of at least 3mm in each active (phase) conductors.
- Before accessing terminals, all supply circuits must be disconnected.

NOTE:

To satisfy the EMC compulsory regulations, which is required by the international standard CISPR 14-1:2005/A2:2011 in specific countries or districts, please make sure you apply the correct magnetic rings on your equipment according to the wiring diagram that adhere to the your equipment.

Please contact your distributor or installer to get further information and purchase magnetic rings (The supplier of magnetic ring is TDK (model ZCAT3035-1330) or similar).

Air Evacuation

Preparations and Precautions

Air and foreign matter in the refrigerant circuit can cause abnormal rises in pressure, which can damage the air conditioner, reduce its efficiency, and cause injury. Use a vacuum pump and manifold gauge to evacuate the refrigerant circuit, removing any non-condensable gas and moisture from the system.

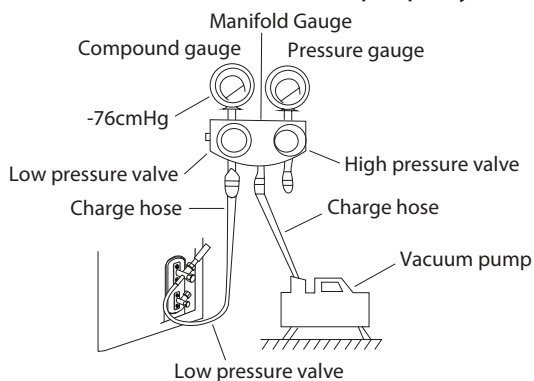
Evacuation should be performed upon initial installation and when unit is relocated.

BEFORE PERFORMING EVACUATION

- ☑ Check to make sure the connective pipes between the indoor and outdoor units are connected properly.
- ☑ Check to make sure all wiring is connected

Evacuation Instructions

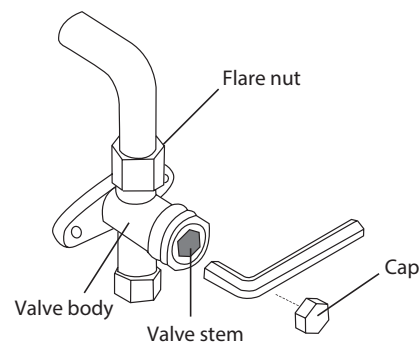
Before using a manifold gauge and a vacuum pump, read their operation manuals to make sure you know how to use them properly.



1. Connect the manifold gauge's charge hose to the service port on the outdoor unit's low pressure valve.
2. Connect the manifold gauge's charge hose from the to the vacuum pump.
3. Open the Low Pressure side of the manifold gauge. Keep the High Pressure side closed.
4. Turn on the vacuum pump to evacuate the system.
5. Run the vacuum for at least 15 minutes, or until the Compound Meter reads -76cmHG (-1x105Pa).
6. Close the manifold gauge's Low Pressure valve and turn off the vacuum pump.
7. Wait for 5 minutes, then check that there has been no change in system pressure.

NOTE: If there is no change in system pressure, unscrew the cap from the packed valve (high pressure valve). If there is a change in system pressure, there may be a gas leak.

8. Insert hexagonal wrench into the packed valve (high pressure valve) and open the valve by turning the wrench 1/4 counterclockwise. Listen for gas to exit the system, then close the valve after 5 seconds.



9. Watch the Pressure Gauge for one minute to make sure that there is no change in pressure. It should read slightly higher than the atmospheric pressure.
10. Remove the charge hose from the service port.
11. Using hexagonal wrench, fully open both the high pressure and low pressure valves.

OPEN VALVE STEMS GENTLY

When opening valve stems, turn the hexagonal wrench until it hits against the stopper. **DO NOT** try to force the valve to open further.

12. Tighten valve caps by hand, then tighten it using the proper tool.
13. If the outdoor unit uses all vacuum valves, and the vacuum position is at the main valve, the system is not connected with the indoor unit. The valve must be tightened with a screw nut. Check for gas leaks before operation to prevent leakage.

Note On Adding Refrigerant

CAUTION

- Refrigerant charging must be performed after wiring, vacuuming, and the leak testing.
- **DO NOT** exceed the maximum allowable quantity of refrigerant or overcharge the system. Doing so can damage the unit or impact its functioning.
- Charging with unsuitable substances may cause explosions or accidents. Ensure that the appropriate refrigerant is used.
- Refrigerant containers must be opened slowly. Always use protective gear when charging the system.
- **DO NOT** mix refrigerants types.
- For the R290 or R32 refrigerant model, make sure the conditions within the area have been made safe by control of flammable material when the refrigerant added into air conditioner.

N=2(one-twin models), N=3(one-three models), N=4(one-four models), N=5(one-five models). Depending on the length of connective piping or the pressure of the evacuated system, you made need to add refrigerant. Refer to table below for refrigerant amounts to be added:

ADDITIONAL REFRIGERANT PER PIPE LENGTH

Connective Pipe Length(m)	Air Purging Method	Additional Refrigerant	
Pre-charge pipe length (ft/m) (pre-charge pipe length xN)	Vacuum Pump	N/A	
More than (pre-charge pipe lengthxN) ft/m	Vacuum Pump	Liquid Side: Ø 6.35 (Ø 1/4") R32 (Total pipe length - pre-charge pipe lengthxN) x12g/m (Total pipe length - pre-charge pipe lengthxN) x0.13oZ/ft	Liquid Side: Ø 9.52 (Ø 3/8") R32 (Total pipe length - pre-charge pipe lengthxN) x24g/m (Total pipe length - pre-charge pipe lengthxN) x0.26oZ/ft
		Liquid Side: Ø 6.35 (Ø 1/4") R410A (Total pipe length - pre-charge pipe lengthxN) x15g/m (Total pipe length - pre-charge pipe lengthxN) x0.16oZ/ft	Liquid Side: Ø 9.52 (Ø 3/8") R410A (Total pipe length - pre-charge pipe lengthxN) x30g/m (Total pipe length - pre-charge pipe lengthxN) x0.32oZ/ft

NOTE: The standard pipe length is 7.5m.

Only for Australia models :

- **DO NOT** mix refrigerants types.

N=2(one-twin models),N=3(one-three models),N=4(one-four models),N=5(one-five models).

Some systems require additional charging depending on pipe lengths. The standard pipe length is 10m. The additional refrigerant to be charged can be calculated using the following formula:

ADDITIONAL REFRIGERANT PER PIPE LENGTH

Connective Pipe Length(m)	Air Purging Method	Additional Refrigerant(R410A)	
Less than Standard pipe length x N	Vacuum Pump	N/A	
More than Standard pipe length x N	Vacuum Pump	Liquid Side: Ø 6.35 (Ø 1/4") (Total pipe length - pre-charge pipe lengthxN) x15g/m	Liquid Side: Ø 9.52 (Ø 3/8") (Total pipe length - pre-charge pipe lengthxN) x30g/m

Make sure to remove the additional refrigerant charge according to the rated volume (5m refrigerant piping) when doing market or government verification test.

Safety And Leakage Check

Electrical safety check

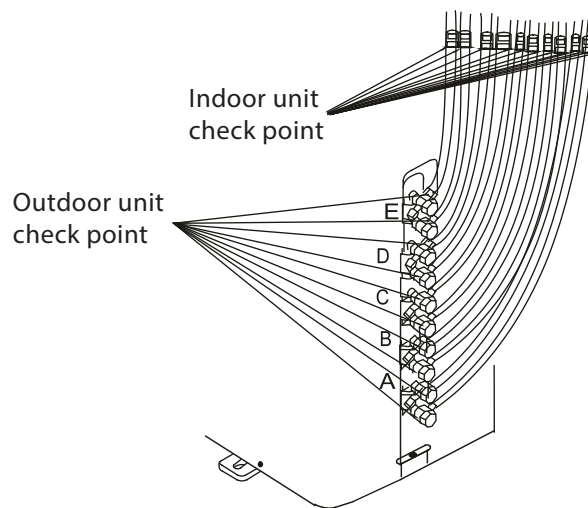
Perform the electrical safety check after completing installation. Cover the following areas:

1. Insulated resistance
The insulated resistance must be more than $2M\Omega$.
2. Grounding work
After finishing grounding work, measure the grounding resistance by visual detection and using the grounding resistance tester. Make sure the grounding resistance is less than 4Ω .
3. Electrical leakage check (performing during test while unit is on)
During a test operation after completed installation, the use the electroprobe and multimeter to perform an electrical leakage check. Turn off the unit immediately if leakage happens. Try and evaluate different solutions until the unit operates properly.

Gas leak check

1. Soap water method:
Apply a soap-water solution or a liquid neutral detergent on the indoor unit connection or outdoor unit connections with a soft brush to check for leakage of the connecting points of the piping. If bubbles emerge, the pipes are experiencing leakage.
2. Leak detector
Use the leak detector to check for leakage.

NOTE: The illustration is for example purposes only. The actual order of A, B, C, D, and E on the machine may be slightly different from the unit you purchased but the general shape will remain the same.



A, B,C,D are points for one-four type.
A, B,C,D, and E are points for the one-five type.

Test Run

Before Test Run

A test run must be performed after the entire system has been completely installed. Confirm the following points before performing the test:

- a) The indoor and outdoor units are properly installed.
- b) Piping and wiring are properly connected.
- c) No obstacles near the inlet and outlet of the unit that might cause poor performance or product malfunction.
- d) The refrigeration system does not leak.
- e) Drainage system is unimpeded and draining to a safe location.
- f) The heating insulation is properly installed.
- g) The grounding wires are properly connected.
- h) Length of the piping and additional refrigerant stow capacity have been recorded.
- i) The power voltage is the correct voltage for the air conditioner.

CAUTION

Failure to perform the test run may result in unit damage, property damage or personal injury.

Test Run Instructions

1. Open both the liquid and gas stop valves.
2. Turn on the main power switch and allow the unit to warm up.
3. Set the air conditioner to COOL mode.
4. For the Indoor Unit
 - a. Ensure the remote control and its buttons work properly.
 - b. Ensure the louvers move properly and can be changed using the remote control.
 - c. Double check to see if the room temperature is being registered correctly.
 - d. Ensure the indicators on the remote control and the display panel on the indoor unit work properly.
 - e. Ensure the manual buttons on the indoor unit works properly.

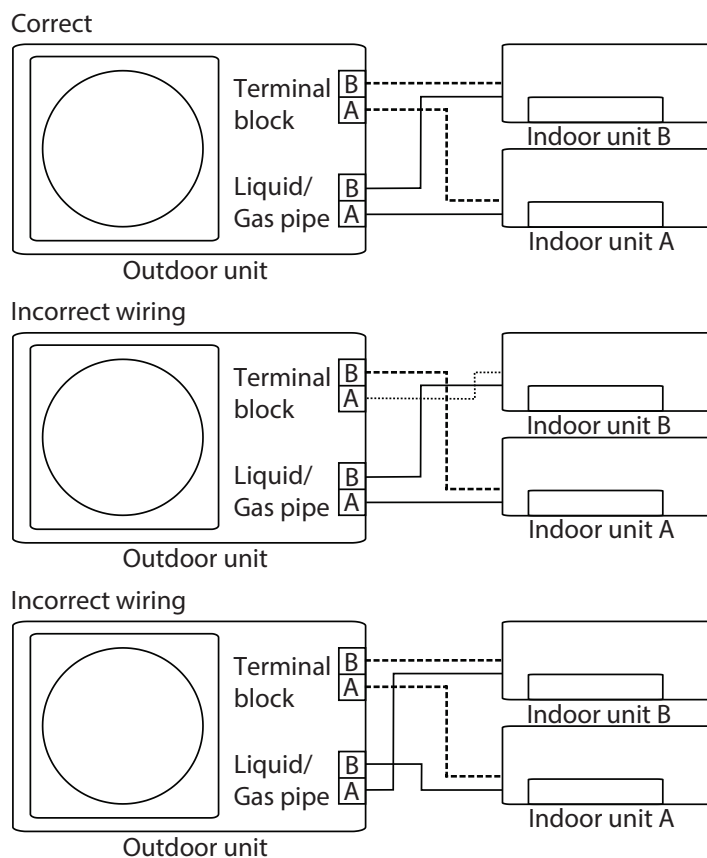
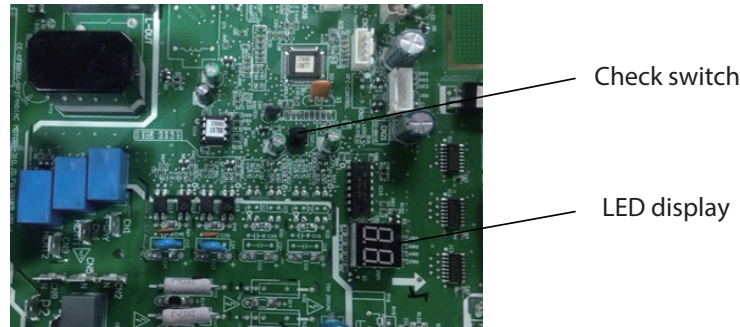
- f. Check to see that the drainage system is unimpeded and draining smoothly.
 - g. Ensure there is no vibration or abnormal noise during operation.
5. For the Outdoor Unit
 - a. Check to see if the refrigeration system is leaking.
 - b. Make sure there is no vibration or abnormal noise during operation.
 - c. Ensure the wind, noise, and water generated by the unit do not disturb your neighbors or pose a safety hazard.

NOTE: If the unit malfunctions or does not operate according to your expectations, please refer to the Troubleshooting section of the Owner's Manual before calling customer service.

Function of Automatic Wiring/Piping Correction

Automatic Wiring/Piping Correction Function

More recent models now feature automatic correction of wiring/piping errors. Press the "check switch" on the outdoor unit PCB board for 5 seconds until the LED displays "CE", indicating that this function is working. Approximately 5-10 minutes after the switch is pressed, the "CE" disappears, meaning that the wiring/piping error is corrected and all wiring/piping is properly connected.



How To Activate This Function

1. Check that outside temperature is above 5 °C.
(This function does not work when outside temperature is not above 5 °C)
2. Check that the stop valves of the liquid pipe and gas pipe are open.
3. Turn on the breaker and wait at least 2 minutes.
4. Press the check switch on the outdoor PCB board unit LED display "CE".

The design and specifications are subject to change without prior notice for product improvement. Consult with the sales agency or manufacturer for details. Any updates to the manual will be uploaded to the service website, please check for the latest version.



**Inverter İki li / Üçlü / Dörtlü / Beşli
Multi Sistem Klima
Montaj ve Kullanım Kilavuzu**

İçindekiler

Güvenlik Tedbirleri..... 04

Kullanım Kılavuzu

Sistem Parçaları ve Başlıca İşlevleri 08

1. Sistem Parçaları 08

2. Çalışma Sıcaklığı 10

3. Özellikleri..... 11

Manuel Çalıştırma ve Bakım..... 13

Sorun Giderme 14

Montaj Kılavuzu

Aksesuarlar	17
Kurulum Özeti	18
Kurulum Şeması	19
Teknik Özellikleri	20
Dış Ünite Kurulumu	21
1. Kurulum yeri seçimi	21
2. Dış tahliye ek yeri	22
3. Dış Ünite Ankraj Yeri	22
Klima Gazı Boru Bağlantısı	24
1. Boru kesme	24
2. Çapakları temizleme	24
3. Rekorla boruyu sonlandırma	24
4. Boruyu bağlama	25
Kablolama	27
1. Dış Ünitenin Kablolama İşlemi	28
2. Kablolama Şekli	29
Vakum İşlemi	35
1. Klima Gazı Ekleme ile ilgili Notlar	36
2. Emniyet ve Kaçak Kontrolü	37
Test Çalıştırması	38
Otomatik Kablolama/Boru Çekme Doğrulaması Fonksiyonu	39

Güvenlik Tedbirleri

Çalıştırma ve Kurulumdan Önce Güvenlik Tedbirlerini Okuyun

Talimatlara uyulmaması nedeniyle yapılan yanlış kurulum, ciddi şekilde hasara veya yaralanmaya neden olabilir.

Olası hasar veya yaralanmaların ciddiyeti **UYARI** veya **İKAZ** olarak sınıflandırılır.



UYARI

Bu sembol, kullanıcının yaralanma veya can kaybı olasılığını ifade eder.



DİKKAT

Bu sembol, mal hasarı veya başka ciddi sonuçların olasılığını ifade eder.



UYARI

Bu cihaz, gözetim altında oldukları, cihazın güvenli bir şekilde kullanımına dair talimat verildikleri ve muhtemel tehlikeleri anladıkları takdirde 8 yaş ve üzeri çocuklar tarafından, sınırlı fiziksel, duyuşal ve zihinsel becerilere sahip veya deneyim ve bilgi eksikliği olan kişiler tarafından kullanılabilir. Çocuklar cihaz ile oynamamalıdır. Gözetim altında olmadıkları sürece, temizlik ve bakım işlemleri çocuklar tarafından yapılmamalıdır.

Bu cihaz, cihazın güvenliğinden sorumlu bir kişi tarafından, kullanımıyla ilgili eğitim veya talimat verilmedikçe, fiziksel, duyuşal veya zihinsel yetenekleri sınırlı, cihaz hakkında deneyim veya bilgi sahibi olmayan kişiler (çocuklar da dahil) tarafından kullanılmak üzere tasarlanmamıştır. Cihazla oynamamaları için çocukların gözetim altında tutulması gereklidir.



ÜRÜN KULLANIMI İÇİN UYARILAR

- Anormal bir durum meydana gelirse (yanık kokusu gibi), derhal üniteyi kapatın ve gücü kesin. Elektrik çarpması, yangın veya yaralanmayı önlemek için satıcınızı arayın.
- Hava girişine veya çıkışına parmak, çubuk veya başka yabancı cisimler **sokmayın**. Bu durum, fan yüksek hızlarda dönebileceğinden yaralanmaya neden olabilir.
- Ünitenin yakınında saç spreyi, cila veya boya gibi **yanıcı spreylere kullanmayın**. Bu, yangına veya yanmaya neden olabilir.
- Klimayı yanıcı gazların yakınında veya çevresinde **çalıştırmayın**. Yayılan gaz ünitenin etrafında toplanabilir ve patlamaya neden olabilir.
- Klimanızı banyo veya çamaşır odası gibi ıslak bir ortamda **çalıştırmayın**. Suya çok fazla maruz kalması, elektrik bileşenlerinin kısa devre yapmasına neden olabilir.
- Vücudunuzu uzun süre **doğrudan** soğuk havaya maruz bırakmayın.
- Çocukların klima ile **oynamasına** izin vermeyin. Çocuklar cihazı gözetim altında kullanmalıdır.
- Klima, brülörler veya diğer ısıtma cihazlarıyla birlikte kullanılıyorsa, oksijen yetersizliğini engellemek adına odayı iyice havalandırın.
- Mutfaklar, sunucu odaları vb. belirli işlevleri olan ortamlarda, özel olarak tasarlanmış klima ünitelerinin kullanılması tavsiye edilir.

TEMİZLİK VE BAKIM UYARILARI

- Temizlemeden önce cihazı kapatın ve güç bağlantısını kesin. Bunun yapılmaması elektrik çarpmasına neden olabilir.
- Klimayı **aşırı miktarda** suyla temizlemeyin.

TEMİZLİK VE BAKIM UYARILARI

- Klimayı **yanıcı** temizlik maddeleriyle temizlemeyin. Yanıcı temizlik maddeleri yangına veya deformasyona neden olabilir.

**DİKKAT**

- Uzun süre kullanmayacaksanız klimayı kapatın ve güç bağlantısını kesin.
- Fırtınalı havalarda üniteyi kapatın ve fişini çekin.
- Üniteden su yoğunlaşmasının rahat şekilde tahliye edilebileceğinden emin olun.
- Klimayı **ıslak ellerle** çalıştırmayın. Aksi durumda, elektrik çarpmasına sebep olabilir.
- Cihazı, **amaçlanan kullanımı dışında** herhangi bir amaç için kullanmayın.
- Dış ünitenin **üzerine çıkmayın** veya üzerine herhangi bir nesneyi koymayın.
- Klimanın uzun süre kapılar veya pencereler açıkken veya çok yüksek nemli ortamda çalışmasına **izin vermeyin**.

**ELEKTRİK İLE İLGİLİ UYARILAR**

- Yalnızca belirtilen güç kablosunu kullanın. Eğer güç kablosu hasar görmüşse, bir tehlike yaratmamak için kablonun imalatçı, servisi veya ilgili kalifiye kişiler tarafından değiştirilmesi gerekir.
- Güç fişini temiz tutun. Fişin üzerinde veya çevresinde biriken tozu veya kiri temizleyin. Kirli fişler yangına veya elektrik çarpmasına neden olabilir.
- Üniteyi fişten çıkarmak için güç kablosuna **asılmayın**. Fişi sıkıca tutun ve cihazın çıkışından çekin. Doğrudan kabloyu çekmek, kabloya zarar verebilir ve bu da yangına veya elektrik çarpmasına neden olabilir.
- Güç kablosunun uzunluğunu değiştirmeyin veya üniteye güç sağlamak için **uzatma kullanmayın**.
- Elektrik prizini **diğer cihazlarla** birlikte kullanmayın. Uygun olmayan veya yetersiz güç çekimi yangına veya elektrik çarpmasına neden olabilir.
- Ürün kurulum sırasında uygun şekilde topraklanmalıdır, aksi takdirde elektrik çarpması meydana gelebilir.
- Tüm elektrik işleri için, yerel ve ulusal kablolama standartlarına, düzenlemelerine ve Montaj Kılavuzuna uyunuz. Dışarıdan etkilerin terminale zarar vermesini önlemek için kabloları sıkıca bağlayın ve sıkıca kelepçeleyn. Uygunsuz elektrik bağlantıları aşırı ısınma yapabilir, yangına ve elektrik çarpmasına neden olabilir. Tüm elektrik bağlantıları, iç ve dış ünitelerin panellerin üzerinde bulunan Elektrik Bağlantı Şemasına göre yapılmalıdır.
- Kontrol panel kapağının düzgün bir şekilde kapanmasını sağlamak için tüm kablo bağlantıları uygun şekilde düzenlenmelidir. Kontrol panelinin kapağı düzgün kapatılmazsa, korozyona ve terminal üzerindeki bağlantı noktalarının ısınmasına, alev almasına veya elektrik çarpmasına neden olabilir.
- Şebekeden güç çekilecekse, tüm kutuplarda en az 3 mm açıklığa sahip bir kesici şalter ve 10mA'nın üzerinde bir kaçak akımı durdurabilecek nominal çalışma akımı 30 mA'nın üzerinde olmayan bir kaçak akım rölesi (RCD), ve ayrıca kablolama yönetmeliklerine uygun olarak bir devre kesici şalt ürünü (sigorta) sisteme eklenmelidir.

SİGORTA İÇİN OLMASI GEREKEN DEĞERLER

Klimanın devre kartı (PCB), aşırı akım koruması sağlamak için bir sigorta ile tasarlanmıştır.

Sigortanın özellikleri devre kartına basılmıştır:

T20A/250VAC (<24000Btu/h değerine sahip üniteler), T30A/250VAC(>24000Btu/h değerine sahip üniteler).

NOT: R32 soğutucu gazlı üniteler için sadece patlamaya dayanıklı seramik sigorta kullanılabilir.

**ÜRÜN KURULUMU İÇİN UYARILAR**

1. Kurulum yetkili bir bayi veya uzman servis tarafından yapılmalıdır. Hatalı kurulum su sızıntısına, elektrik çarpmasına veya yangına neden olabilir.



ÜRÜN KURULUMU İÇİN UYARILAR

2. Kurulum, kılavuzdaki talimatlarına göre yapılmalıdır. Hatalı kurulum su sızıntısına, elektrik çarpmasına veya yangına neden olabilir. (Kuzey Amerika'da klimanın montajının NEC ve CEC gerekliliklerine uygun biçimde sadece yetkili personel tarafından yapılması gereklidir).
3. Sistemin onarımı veya bakımı için yetkili bir servis teknisyeniyle iletişime geçiniz. Cihaz kurulumu ulusal kablolama yönetmeliklerine uygun olarak yapılmalıdır.
4. Kurulum için yalnızca birlikte verilen aksesuarları ve belirtilen parçaları kullanınız. Verilen parçaların dışında bir parça kullanılması su sızıntısına, elektrik çarpmasına, yangına ve arızaya neden olabilir.
5. Üniteyi, ağırlığını taşıyabilecek sağlam bir konuma monte ediniz. Seçilen yer ünitenin ağırlığını kaldıramazsa veya kurulum düzgün yapılmazsa, ünite düşebilir ve ciddi yaralanmalara ve hasara neden olabilir.
6. Drenaj borularını bu kılavuzdaki talimatlara göre döşeyin. Yanlış drenaj, evinize veya mülkünüze su basmasına neden olabilir.
7. Yardımcı elektrikli ısıtıcıya sahip üniteler için, üniteyi herhangi bir yanıcı malzemenin **1 metre (3 fit) yakınına monte etmeyin**.
8. Üniteyi **yanıcı gaz** sızıntılarına maruz kalabilecek bir yere monte etmeyin. Ünite çevresinde yanıcı gaz birikirse yangına neden olabilir.
9. Tüm işler tamamlanana kadar gücü açmayın.
10. Klimayı taşırken veya yerini değiştirirken, ünitenin bağlantısını kesmek ve yeniden kurmak için deneyimli servis teknisyenlerine danışın.
11. Cihazın nasıl kurulacağına dair bilgiler için, lütfen "iç ünite kurulumu" ve "dış ünite kurulumu" bölümlerindeki detaylarını okuyunuz.

Florlu Gazlar hakkında Notlar

1. Bu klima ünitesi florlu sera gazları içerir. Gaz türü ve miktarı hakkında özel bilgi için, lütfen ünitenin kendisindeki ilgili etikete veya dış ünite ambalajındaki "Kullanım Kılavuzu - Ürün Tanıtımı"na bakınız. (Yalnızca Avrupa Birliği ürünleri için).
2. Bu ünitenin kurulumu, servisi, bakımı ve onarımı sertifikalı bir teknisyen tarafından yapılmalıdır.
3. Ürünün kaldırılması ve geri dönüştürülmesi, sertifikalı bir teknisyen tarafından yapılmalıdır.
4. 5 tondan fazla, 50 tondan daha az CO₂ eşdeğerinde florlu sera gazları içeren sistemlerde bir sızıntı tespit sistemi varsa, en az 24 ayda bir sızıntılara karşı kontrol edilmelidir.
5. Ünite sızıntılara karşı kontrol edildiğinde, tüm kontrollerin uygun şekilde kayıt tutulması şiddetle tavsiye edilir.



R32 Klima Gazı için UYARILAR

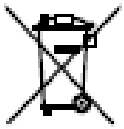
- Yanıcı soğutucu gaz kullanıldığında, cihaz, çalışma şartı olarak oda boyutunun oda alanına karşılık geldiği iyi havalandırılmış bir alanda saklanmalıdır.
R32 soğutucu kullanan modelleri için:
Cihazın montajı, çalıştırılması ve saklanması zemin alanı en az X m² olan bir odada yapılmalıdır. Alan X m²'den küçükse, cihaz havalandırması yapılmamış bir alana kurulmamalıdır. (Lütfen aşağıdaki forma bakınız).

Doldurulabilecek soğutucu gaz miktarı (kg)	Kurulum yüksekliği (m)	Minimum oda alanı (m ²)	Doldurulabilecek soğutucu gaz miktarı (kg)	Kurulum yüksekliği (m)	Minimum oda alanı (m ²)
1,0	0,6 / 1,8 / 2,2	9 / 1 / 1	1,95	0,6 / 1,8 / 2,2	33 / 4 / 2,5
1,05	0,6 / 1,8 / 2,2	9,5 / 1,5 / 1	2,0	0,6 / 1,8 / 2,2	34,5 / 4 / 3
1,1	0,6 / 1,8 / 2,2	10,5 / 1,5 / 1	2,05	0,6 / 1,8 / 2,2	36 / 4 / 3
1,15	0,6 / 1,8 / 2,2	11,5 / 1,5 / 1	2,1	0,6 / 1,8 / 2,2	38 / 4,5 / 3
1,2	0,6 / 1,8 / 2,2	12,5 / 1,5 / 1	2,15	0,6 / 1,8 / 2,2	40 / 4,5 / 3
1,25	0,6 / 1,8 / 2,2	13,5 / 1,5 / 1	2,2	0,6 / 1,8 / 2,2	41,5 / 5 / 3,5
1,3	0,6 / 1,8 / 2,2	14,5 / 2 / 1,5	2,25	0,6 / 1,8 / 2,2	43,5 / 5 / 3,5
1,35	0,6 / 1,8 / 2,2	16 / 2 / 1,5	2,3	0,6 / 1,8 / 2,2	45,5 / 5 / 3,5
1,4	0,6 / 1,8 / 2,2	17 / 2 / 1,5	2,35	0,6 / 1,8 / 2,2	47,5 / 5,5 / 4
1,45	0,6 / 1,8 / 2,2	18 / 2 / 1,5	2,4	0,6 / 1,8 / 2,2	49,5 / 5,5 / 4
1,5	0,6 / 1,8 / 2,2	19,5 / 2,5 / 1,5	2,45	0,6 / 1,8 / 2,2	51,5 / 6 / 4
1,55	0,6 / 1,8 / 2,2	21 / 2,5 / 2	2,5	0,6 / 1,8 / 2,2	54 / 6 / 4
1,6	0,6 / 1,8 / 2,2	22 / 2,5 / 2	2,55	0,6 / 1,8 / 2,2	56 / 6,5 / 4,5
1,65	0,6 / 1,8 / 2,2	23,5 / 3 / 2	2,6	0,6 / 1,8 / 2,2	58 / 6,5 / 4,5
1,7	0,6 / 1,8 / 2,2	25 / 3 / 2	2,65	0,6 / 1,8 / 2,2	60,5 / 7 / 4,5
1,75	0,6 / 1,8 / 2,2	26,5 / 3 / 2	2,7	0,6 / 1,8 / 2,2	63 / 7 / 5
1,8	0,6 / 1,8 / 2,2	28 / 3,5 / 2,5	2,75	0,6 / 1,8 / 2,2	65 / 7,5 / 5
1,85	0,6 / 1,8 / 2,2	29,5 / 3,5 / 2,5	2,8	0,6 / 1,8 / 2,2	67,5 / 7,5 / 5
1,9	0,6 / 1,8 / 2,2	31 / 3,5 / 2,5	2,85	0,6 / 1,8 / 2,2	70 / 8 / 5,5

- Yeniden kullanılabilir mekanik konektörlere ve rekorlara iç mekanlarda izin verilmez. (AB Düzenlemeleri çerçevesinde).
- İç mekanlarda kullanılan mekanik konektörler, izin verilen maksimum basıncın % 25'inde 3 g/yıl'dan fazla olmayan bir orana sahip olacaktır. Bağlantı elemanları iç mekanda tekrar kullanıldığında, sızdırmazlık elemanları yenilenmelidir. Genişletme bağlantıları iç mekanda yeniden kullanıldığında, genişletme kaplinleri veya bağlantıları kullanılmamış sıfır bir parça kullanılmalıdır. (UL Düzenlemeleri çerçevesinde)
- Bağlantı elemanları iç mekanda tekrar kullanıldığında, sızdırmazlık elemanları yenilenmelidir. Genişletme bağlantıları iç mekanda yeniden kullanıldığında, genişletme kaplinleri veya bağlantıları kullanılmamış sıfır bir parça kullanılmalıdır. (IEC Düzenlemeleri çerçevesinde)
- İç mekanlarda kullanılan mekanik konektörler ISO 14903'e uygun olmalıdır.

Avrupa Atık İmha Yönergeleri

Ürün veya kılavuz üzerinde gösterilen bu işaret, atık elektrikli ve elektrikli ekipmanın genel evsel atıklarla karıştırılmaması gerektiğini belirtir.



Ürünün Doğru Şekilde İmhası

(Atık Elektrikli ve Elektronik Ekipman)

Bu cihaz, soğutucu gaz ve diğer potansiyel tehlikeli maddeleri içerir. Bu cihazın bertaraf işleminde yönerge özel toplama ve işleme işini gerektirir. Bu ürünü ev atığı veya sınıflandırılmamış atık olarak atmayın.

Bu cihazı atarken alttaki seçeneklere sahipsiniz:

- Cihazı belirlenen belediye elektronik atık toplama tesisinde atın.
- Yeni bir cihaz satın alırken, perakendeci eski cihazı ücretsiz olarak geri alacaktır.
- Veya üretici eski cihazı ücretsiz olarak geri alacaktır.
- Veya cihazı sertifikalı metal hurdacılarına satabilirsiniz.

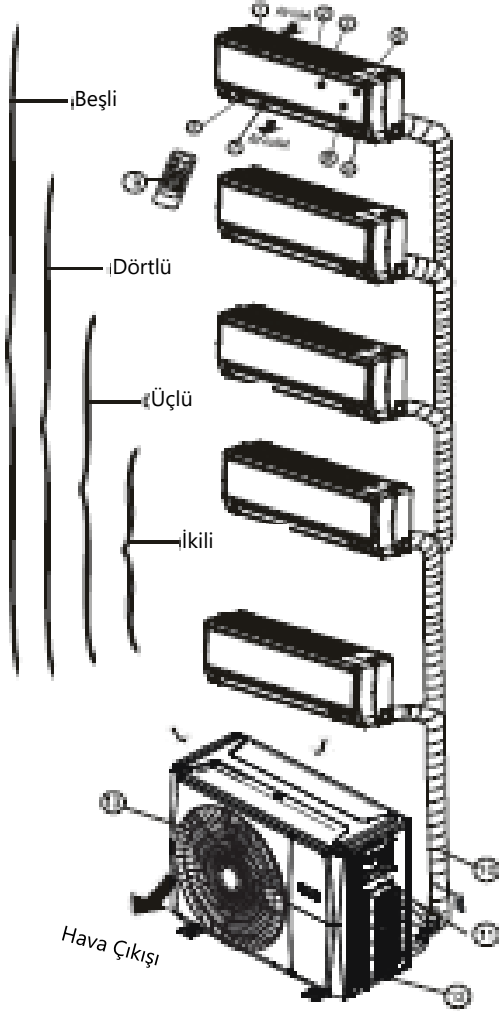
Özel uyarı

Bu cihazın ormana veya diğer doğal ortamlara atılması sağlığını tehdit eder ve çevre için zararlıdır. Tehlikeli maddeler yer altı sularına sızabilir ve besin zincirine girebilir.

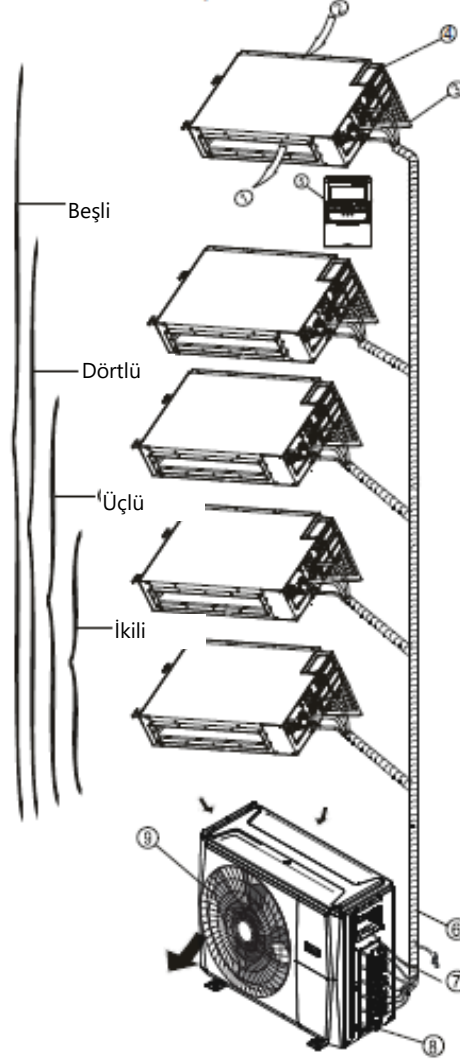
Sistem Parçaları ve Başlıca İşlevleri

Sistem Parçaları

(A) Duvara Montaj tipi



(B) Kanal / Tavan tipi



İç ünite

1. Panel şasesi
2. Arka hava giriş ızgarası
3. Ön Panel
4. Hava temizleme filtresi ve Hava filtresi (arkada)
5. Yatay panjur
6. LCD ekran
7. Dikey panjur
8. Manuel kontrol düğmesi (arkada)
9. Uzaktan kumanda yeri

Dış ünite

10. Tahliye hortumu, soğutucu gaz bağlantı borusu
11. Bağlantı kablosu
12. Stop vanası
13. Fan Izgarası

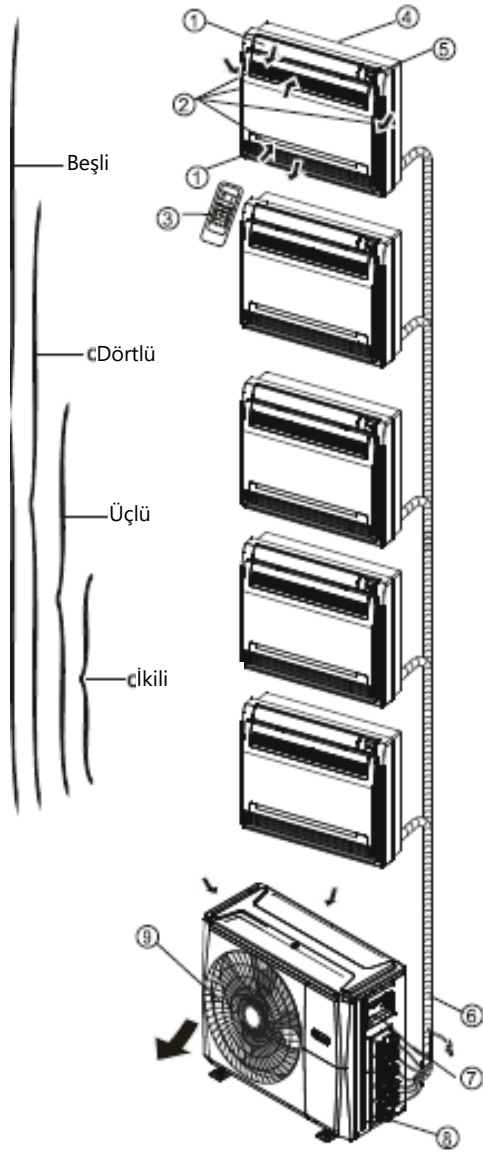
İç Ünite

1. Hava Çıkışı
2. Hava Girişi
3. Hava filtresi
4. Elektrik kontrol bölümü
5. Kablo Kontrolcüsü

Dış Ünite

6. Tahliye hortumu, soğutucu gaz bağlantı borusu
7. Bağlantı kablosu
8. Stop vanası
9. Fan Izgarası

(C) Zemin Tipi ve Salon Tipi (Konsol Tipi)

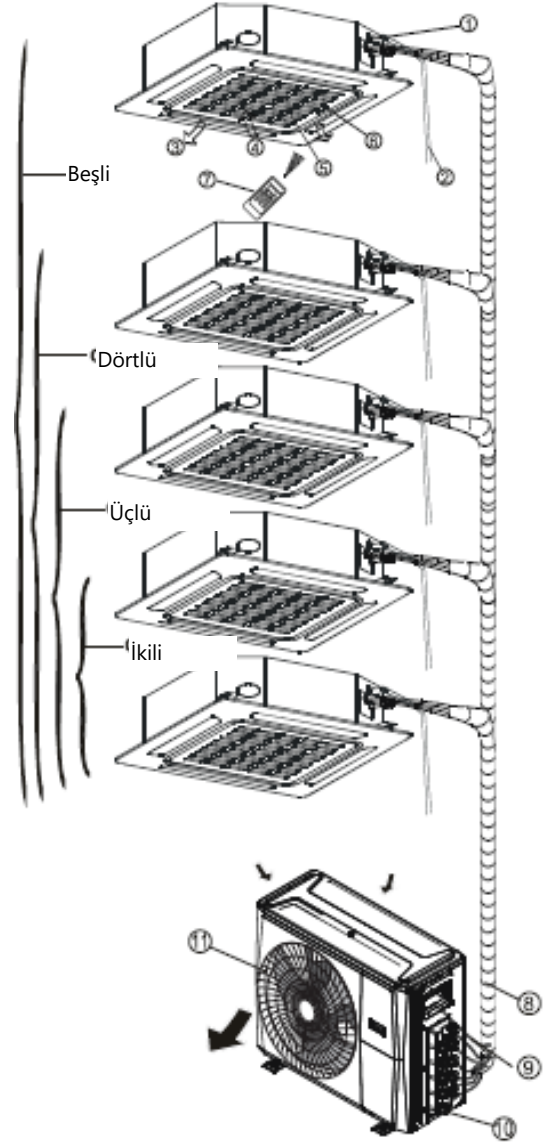
**İç Ünite**

1. Hava akış panjuru (hava çıkışında)
2. Hava girişi (hava filtresi içerisinde)
3. Uzaktan kumanda
4. Montaj aparatı
5. Gösterge paneli

Dış Ünite

6. Tahliye hortumu, soğutucu gaz bağlantı borusu
7. Bağlantı kablosu
8. Stop vanası
9. Fan Izgarası

(D) Kompakt Dört Sekmeli Tipi

**İç Ünite**

1. Tahliye pompası (iç ünitelerden gelen su)
2. Tahliye hortumu
3. Hava Çıkışı
4. Hava Girişi
5. Hava girişi ızgarası
6. Gösterge paneli
7. Uzaktan kumanda

Dış Ünite

8. Soğutucu gaz bağlantı borusu
9. Bağlantı kablosu
10. Stop vanası
11. Fan Izgarası

NOT: Çok bölmeli klimalar için, bir dış ünite farklı iç ünite tipleriyle eşleştirilebilir. Bu kılavuzdaki tüm resimler yalnızca tanıtım amaçlıdır. Klimanızın şekil olarak benzer olsa da nispeten farklı olabilir. İlerideki sayfalarda, dış ünitelerle eşleştirilebilecek birkaç tür iç ünite tanıtılmaktadır.

Çalışma Koşulları

Çalışma sıcaklığı

Klimanız aşağıdaki sıcaklık aralıklarının dışında kullanıldığında, belirli güvenlik özellikleri devreye girebilir ve ünitenin devre dışı kalmasına neden olabilir.

	COOL Modu	HEAT Modu	DRY Modu
Oda Sıcaklığı	17°C - 32°C (62°F - 90°F)	0°C - 30°C (32°F - 86°F)	10°C - 32°C (50°F - 90°F)
Dış Ortam Sıcaklığı	0°C - 50°C (32°F - 122°F)	-15°C - 24°C (5°F - 75°F)	0°C - 50°C (32°F - 122°F)
	-15°C - 50°C (5°F - 122°F) (Düşük sıcaklık soğutmaya sahip modeller.)		
	0°C - 52°C (32°F - 126°F) (Tropikal bölgelere özel modeller için)		0°C - 52°C (32°F - 126°F) (Tropikal bölgelere özel modeller için)

YARDIMCI ELEKTRİKLİ ISITICILI DIŞ ÜNİTELER İÇİN

Dış ortam sıcaklığı 0°C'nin (32°F) altındayken, sorunsuz bir performans alabilmek için üniteyi her zaman fişe takılı tutmanızı şiddetle tavsiye ediyoruz.

NOT: Odanın bağıl nemi %80'den az olmalıdır. Klima bu sayının üzerinde çalışırsa, klimanın yüzeyi yoğuşma yapabilir. Lütfen dikey hava akış panjurunun maksimum açısına (zemine dikey olarak) ve YÜKSEK fan modunu ayarlayınız.

Ünitenizin performansını daha rahat optimize etmek için aşağıdakileri yapın:

- Kapıları ve pencereleri kapalı tutun.
- TIMER ON ve TIMER OFF işlevlerini kullanarak enerji kullanımını sınırlayın.
- Hava girişlerini veya çıkışlarını kapatmayın.
- Hava filtrelerini düzenli olarak inceleyin ve temizleyin.

Özellikleri

Klima Kompresörü'nün koruması

- Kompresör durduktan üç dakika sonra yeniden başlayamaz.

Soğuk hava önleyici (Yalnızca soğutmalı ve ısıtmalı modeller)

- Ünite, iç ısı eşanjörü aşağıdaki üç durumdan birinde olduğunda ve ayarlanan sıcaklığa ulaşılmadığında, ISITMA (HEAT) modunda soğuk hava üflemecek şekilde tasarlanmıştır. A) Isıtma yeni başladığında.
B) Buzlanmayı çözme sırasında.
C) Düşük sıcaklıktaki ısıtmada.
- İç veya dış fan, buz çözme sırasında çalışmayı durdurur (Yalnızca soğutmalı ve ısıtmalı modeller).

Buzlanmayı çözme (Yalnızca soğutmalı ve ısıtmalı modeller için)

- Dış ortam sıcaklığının düşük ve nemin yüksek olduğu bir ısıtma döngüsü sırasında dış ünite don oluşabilir ve bu da klimada daha düşük ısıtma verimliliği sağlar.
- Bu koşullar altında klima, ısıtma işlemlerini durduracak ve otomatik olarak buz çözme işlemini başlatacaktır.
- Dış ortam sıcaklığına ve dış ünite oluşmuş don miktarına bağlı olarak buz çözme süresi 4 ila 10 dakika arasında değişebilir.

Otomatik Yeniden Başlatma (Bazı modeller için)

Elektrik kesintisi durumunda sistem derhal duracaktır. Elektrik geri geldiğinde, iç ünite üzerindeki Çalışma ışığı yanıp sönecektir. Üniteyi yeniden başlatmak için, kumanda üzerindeki **ON/OFF** düğmesine basınız. Sistemin otomatik yeniden başlatma işlevi varsa, ünite aynı ayarları kullanarak kendini yeniden başlatacaktır.

İç üniteden çıkan beyaz sis

- Bağıl nemin yüksek olduğu yerlerde SOĞUTMA (COOL) modunda hava girişi ve hava çıkışı arasındaki büyük sıcaklık farkı nedeniyle beyaz bir sis oluşabilir.
- Buz çözme işleminden sonra klima ISITMA (HEAT) modunda yeniden çalışmaya başladığında, oluşan nem nedeniyle beyaz bir sis oluşabilir.

Klimadan gelen gürültü

- Kompresör çalışırken veya çalışmayı henüz durdurduğunda düşük bir tıslama sesi duyabilirsiniz. Bu ses, akan veya durma noktasına gelen soğutucu gazın sesidir.
- Ayrıca kompresör çalışırken veya çalışmayı henüz durdurduğunda düşük bir gıcırdama sesi duyabilirsiniz. Bu, sıcaklık değişirken üniteye plastik parçaların sıcaklıkla genişmesi ve soğukla büzülmesinden kaynaklanır.
- Güç ilk kez açıldığında panjurun kendisini orijinal konumuna geri getirmesi nedeniyle bir ses duyulabilir.

İç üniteden toz çıkıyor.

Bu, klima uzun bir süre kullanılmadığında veya ilk kullanımı sırasında olur.

İç üniteden gelen koku.

Bunun nedeni, klimanın yapı malzemeleri, mobilyalar veya dumandan sızan kokuları yaymasıdır.

Klima, SOĞUTMA veya ISITMA (yalnızca soğutma ve ısıtma modelleri için) modundan YALNIZ FAN moduna geçer.

İç ortam sıcaklığı ayarlanan sıcaklık ayarına ulaştığında, kompresör otomatik olarak duracak ve klima yalnız FAN moduna geçecektir. SOĞUTMA modunda iç ortam sıcaklığı yükseldiğinde veya ISITMA modunda ayarlanan seviyeye düştüğünde kompresör yeniden başlayacaktır.

Nispeten yüksek nemde soğutma gerçekleştiğinde (% 80'den fazla olarak tanımlanır) iç ünite yüzeyinde su damlacıkları oluşabilir. Yatay panjuru maksimum hava çıkışı konumuna ayarlayın ve YÜKSEK fan hızını seçin.

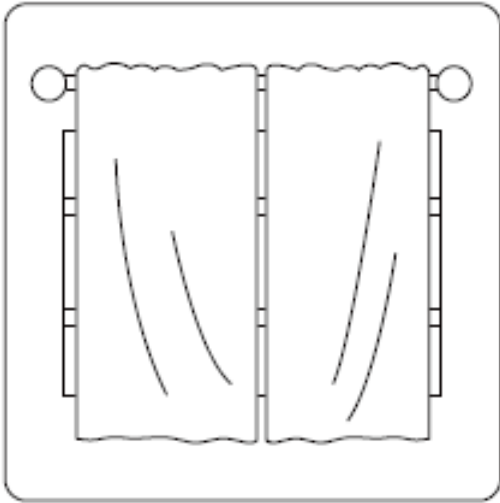
Isıtma modu (Yalnızca soğutma ve ısıtma modelleri için)

Klima, dış üniteden ısıyı çeker ve ısıtma sırasında bunu iç ünite aracılığıyla verir. Dış ortam sıcaklığı düştüğünde, klimanın çektiği ısı buna göre azalır. Aynı zamanda, iç ve dış sıcaklık arasındaki daha büyük fark nedeniyle klimanın ısıtma yükü artar. Yalnızca klima ile konforlu bir sıcaklığa ulaşamıyorsa, ek bir ısıtma cihazı kullanmanız önerilir.

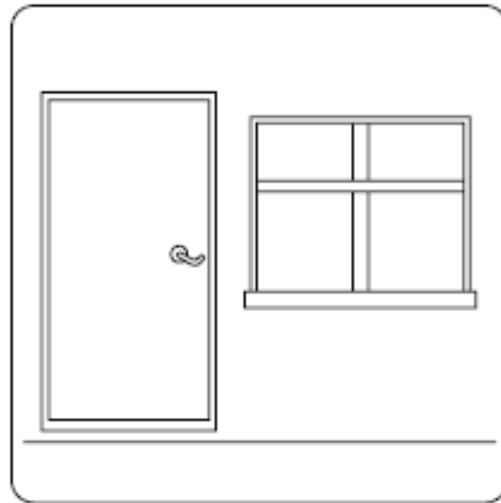
Yakınına yıldırım düşmesi veya araç telefonu ünitenin arızalanmasına neden olabilir. Üniteyi güç kaynağından ayırın (priz) ve ardından üniteyi güç kaynağına tekrar bağlayın. Yeniden başlatma işlemleri için uzaktan kumandadan AÇ/KAPA tuşuna basın.

Enerji Tasarrufu İpuçları

- Üniteyi aşırı sıcaklık seviyelerine **AYARLAMAYIN**.
- Soğutma sırasında doğrudan güneş ışığından kaçınmak için perdeleri kapatın.
- Odada soğuk veya sıcak havayı muhafaza etmek için kapılar ve pencereler kapalı tutulmalıdır.
- Ünitenin hava girişi ve çıkışı yakınına nesnelere **YERLEŞTİRMEYİN**. Bu, ünitenin verimini azaltacaktır.
- Bir zamanlayıcı ayarlayın ve varsa SLEEP/ECONOMY modunu kullanın.
- Üniteyi uzun süre kullanmayı planlamıyorsanız, pilleri uzaktan kumandadan çıkarın.
- Hava filtresini iki haftada bir temizleyin. Kirli bir filtre, soğutma veya ısıtma verimliliğini azaltabilir.
- Panjurları uygun şekilde ayarlayın ve doğrudan hava akışından kaçının.



Isıtma sırasında perdelerin kapatılması da ısının içeride kalmasına yardımcı olur



Kapılar ve pencereler kapalı tutulmalıdır

Manuel Çalıştırma ve Bakım

Çalıştırma modu seçimi

İki veya daha fazla iç ünite aynı anda çalışırken, modların birbiriyle çakışmadığından emin olun. Isı modu, diğer tüm modlara göre önceliklidir. Ünite başlangıçta ISITMA modunda çalışmaya başladıysa, diğer üniteler yalnızca ISITMA modunda çalışabilir. Örnek: Ünite başlangıçta SOĞUTMA modu (veya FAN) altında çalışmaya başladıysa, diğer üniteler ISITMA modu hariç diğer modlar altında çalışabilir. Ünitelerden birinde ISITMA modu seçilirse, diğer çalışan üniteler çalışmayı durdurur ve ekrana "--" (yalnızca gösterge ekranı olanlarda) gösterir, veya otomatik ve çalışma gösterge ışığı hızla yanıp söner, buzlanmayı çözme gösterge ışığı söner ve zamanlayıcı gösterge ışığı açık kalacaktır (gösterge ekranı olmayan üniteler için). Ayrıca, , buzlanmayı çözme ve alarm gösterge ışığı (varsa) yanar veya çalışma gösterge ışığı hızla yanıp söner ve zamanlayıcı gösterge ışığı söner (zemin ve salon tipi için).

Bakım

Üniteyi uzun süre boшта bırakmayı planlıyorsanız, aşağıdaki görevleri gerçekleştirin:

1. İç üniteyi ve hava filtresini temizleyin.
2. YALNIZCA FAN modunu seçin ve ünitenin içini kurutmak için iç ünitenin fanını bir süre çalıştırın.
3. Güç kaynağının bağlantısını kesin ve pili uzaktan kumandadan çıkarın.
4. Dış ünite bileşenlerini periyodik olarak kontrol edin. Ünitenin bakıma ihtiyacı varsa yerel bir servisle veya müşteri hizmetleriyle iletişime geçin.

NOT: Klimayı temizlemeden önce üniteyi kapattığınızdan ve fişini çektiğinizden emin olun.

Optimal çalışma

En iyi performansı elde etmek için lütfen aşağıdakilere dikkat edin:

- İnsanların üzerine doğrudan üflemecek şekilde hava akış yönünü ayarlayın.
- Mümkün olan en yüksek konfor düzeyini elde etmek için sıcaklığı ayarlayın. Üniteyi aşırı sıcaklık seviyelerine ayarlamayın.
- SOĞUTMA veya ISITMA modunda kapıları ve pencereleri kapatın.
- Klimanızı çalıştırmak istediğiniz zamanı seçmek için uzaktan kumanda üzerindeki ZAMANLAYICI AÇIK düğmesini kullanın.
- Klimanın verimi düşebileceğinden ve klima durabileceğinden, hava girişine veya çıkışına herhangi bir nesne koymayın.
- Hava filtresini periyodik olarak temizleyin, aksi takdirde soğutma veya ısıtma performansı düşebilir.
- Üniteyi yatay panjur kapalı konumda çalıştırmayın.

Öneri:

Elektrikli ısıtıcı içeren ünitelerde, dış ortam sıcaklığı 0°C'nin (32°F) altındayken, sorunsuz çalışmayı garanti etmek için makineyi fişe takılı tutmanız şiddetle tavsiye edilir.

Klima tekrar kullanılacağı zaman:

- Tozun iç üniteden dağılmasını önlemek için arka hava giriş izgarasında biriken tozu silmek için kuru bir bez kullanın.
- Kabloların kopmadığını veya bağlantısının kesilip kesilmediğini kontrol edin.
- Hava filtresinin takılı olup olmadığını kontrol edin.
- Klimanın uzun süre kullanılmadıkdan sonra hava çıkışının/girişinin tıkalı olup olmadığını kontrol edin.

Sorun giderme



GÜVENLİK TEDBİRLERİ

Aşağıdaki koşullardan herhangi biri meydana gelirse, ünitenizi hemen kapatın!

- Güç kablosu hasarlı veya anormal derecede sıcaksa
- Yanık kokusu alıyorsanız
- Ünite yüksek veya anormal sesler çıkarıyorsa
- Bir güç sigortası atıyor veya şalter sık sık atıyorsa
- Ünitenin içine veya dışına su damlıyor veya başka bir şey düşüyorsa

BUNLARI KENDİNİZ DÜZELTMEMEYE ÇALIŞMAYIN! HEMEN YETKİLİ BİR SERVİS İLE İLETİŞİM KURUN!

Yaygın Sorunlar

Aşağıdaki sorunlar bir arıza değildir ve çoğu durumda onarım gerektirmez.

Problem	Muhtemel Nedenleri
ON/OFF (AÇ/KAPA) düğmesine basıldığında ünite açılmıyor	Sistem, ünitenin aşırı yüklenmesini önleyen 3 dakikalık koruma özelliğine sahiptir. Ünite, kapatıldıktan sonraki üç dakikalık süre boyunca yeniden başlatılamaz.
	Soğutmalı ve Isıtmalı Modellerde: Çalışma ışığı ve PRE-DEF (Ön ısıtma / Buz çözme) göstergeleri yanarsa, dış sıcaklık çok soğuktur ve ünitenin buzunu çözmek için ünitenin soğuk önleme rüzgarı etkinleştirilir.
	Yalnızca Soğutmalı Modellerde: "Yalnızca Fan" göstergesi yanıyorsa, dış ortam sıcaklığı çok soğuktur ve ünitenin buzunu çözmek için ünitenin antifriz koruması etkinleştirilir.
Ünite SOĞUTMA (COOL) modundan FAN moduna geçer	Ünite, üzerinde don oluşumunu önlemek için mod ayarını değiştirir. Sıcaklık arttığında, ünite tekrar çalışmaya başlayacaktır.
	Ayar sıcaklığına ulaşıldığında bu noktada ünite kompresörü kapatır. Ünite, sıcaklık tekrar dalgalandığında çalışmaya devam edecektir.
İç ünite beyaz sis yayıyor.	Nemli bölgelerde, oda havası ile şartlandırılmış hava arasındaki büyük bir sıcaklık farkı beyaz sise neden olabilir.
Hem iç hem de dış ünite beyaz sis yayıyor	Buz çözme işleminden sonra ünite ISITMA modunda yeniden başladığında, buz çözme işleminden kaynaklanan nem nedeniyle beyaz sis çıkabilir.

Problem	Muhtemel Nedenleri
İç ünite sesler çıkarıyor	Sistem KAPALI veya SOĞUTMA modundayken bir gıcırtı sesi duyulur. Ses, tahliye pompası (isteğe bağlı) çalışırken de duyulur.
	Üniteyi ISITMA modunda çalıştırdıktan sonra, ünitenin plastik parçalarının genişlemesi ve daralması nedeniyle bir gıcırtı sesi oluşabilir.
Hem iç ünite hem de dış ünite sesler çıkarıyor	Çalışma sırasında düşük bir tıslama sesi duyulabilir. Bu normaldir ve hem iç hem de dış ünitelerden geçen soğutucu gazdan kaynaklanır.
	Sistem başladığında, çalışmayı henüz durdurduğunda veya buz çözerken düşük bir tıslama sesi duyuluyor. Bu gürültü de normaldir ve soğutucu gazın durması veya yön değiştirmesinden kaynaklanır.
Dış ünite sesler çıkarıyor	Ünite, mevcut çalışma moduna göre farklı sesler çıkaracaktır.
İç veya dış üniteden toz çıkıyor	Ünite, uzun süre kullanılmadığında toz biriktirebilir ve ünite açıldığında dışarıya verir. Bu, uzun süre kullanılmadığında ünitenin üzeri örtülerek hafifletilebilir.
Ünite kötü bir koku yayıyor	Ünite, çalışma sırasında ortamdan yayılacak olan (mobilya, yemek pişirme, sigara vb.) kokuları çekebilir.
	Ünitenin filtreleri küflenmiş ve temizlenmesi gerekiyor.
Dış ünitenin fanı çalışmıyor	Çalışma sırasında, ürünün çalışmasını optimize etmek için fan hızı kontrol edilir.



Sorun giderme İpuçları

Sorunlar ortaya çıktığında, yetkili bir servis ile iletişime geçmeden önce lütfen aşağıdaki noktaları kontrol edin.

Problem	Muhtemel Nedenleri	Çözüm
Ünite çalışmıyor	Elektrik kesilmiş	Kesintinin geçmesini bekle
	Otomatik sigorta atmış	Sigortayı aç
	Sigorta yanmış	Sigortayı değiştir
	Uzaktan kumandanın pili bitmiş	Pillerini değiştir
	Ünitenin 3 dakikalık koruması aktif hale gelmiş	Yeniden başlattıktan sonra üç dakika bekle
Zayıf soğutma performansı	Sıcaklık ayarı ortam sıcaklığından daha yüksek olabilir	Sıcaklık ayarı düşmesi
	Dış ünite veya iç üniteye ısı eşanjörü kirlenmiş	Isı eşanjörü temizlenmeli
	Hava filtresi kirlenmiş	Hava filtresini çıkarın ve talimatlara göre temizleyin
	Hava girişi veya çıkışı engellenmiş	Üniteyi kapatın, engeli kaldırın ve tekrar açın
	Kapı veya pencereler açık	Üniteyi çalıştırırken tüm kapıların ve pencerelerin kapalı olduğundan emin olun
	Güneş ışığından aşırı sıcak geliyor	Yüksek sıcaklık veya parlak güneş ışığı dönemlerinde pencereleri ve perdeleri kapatın
	Sızıntı veya uzun süreli kullanım nedeniyle düşük soğutucu gaz	Kaçakları kontrol edin, gerekirse yeniden sızdırmazlık sağlayın ve soğutucu gaz ekleyin
Ünite sık sık başlıyor ve duruyor	Sistemde çok fazla veya çok az soğutucu gaz	Kaçakları kontrol edin ve gerekirse sisteme soğutucu gaz doldurun
	Soğutma sisteminde hava, sıkıştırılmayan gaz veya yabancı madde var.	Sistemi boşaltın ve tekrar soğutucu gaz doldurun
	Sistem engelleniyor	Hangi devrenin engellendiğini belirleyin ve arızalı ekipmanı değiştirin
	Kompresör bozuk	Kompresörü değiştirin
	Gerilim çok yüksek veya çok düşüktür	Gerilimi regüle edebilmek için bir manostat (basınç kontrol cihazı) kurun
Zayıf ısıtma performansı	Dış ortam sıcaklığı 7°C'den (44,5°F) düşük	Kaçakları kontrol edin ve gerekirse sisteme soğutucu gaz doldurun
	Soğuk hava kapılardan ve pencerelerden giriyor	Üniteyi çalışırken tüm kapıların ve pencerelerin kapalı olduğundan emin olun
	Sızıntı veya uzun süreli kullanım nedeniyle düşük soğutucu gaz	Kaçakları kontrol edin, gerekirse yeniden sızdırmazlık sağlayın ve soğutucu gaz ekleyin

Aksesuarlar

Klima sistemi aşağıdaki aksesuarlarla birlikte gelir. Klimayı kurmak için tüm montaj parçalarını ve aksesuarları kullanınız. Yanlış kurulum su sızıntısına, elektrik çarpmasına ve yangına veya ekipmanın arızalanmasına neden olabilir. Klimaya dahil olmayan parçalar ayrıca satın alınmalıdır.

Aksesuarın İsmi	Adet	Şekil	Aksesuarın İsmi	Adet	Şekil
Kılavuz	2~4		Tahliye kaplini (bazı modellerde)	1	
Montaj Plakası (bazı modellerde)	1		Sızdırmazlık O-Ring'i (bazı modellerde)	1	
Plastik genişletme kılıfı (bazı modellerde)	5-8 (modele bağlı)		Ferrit nüve (Kurulumdan sonra iç ünite ile dış ünite arasındaki bağlantı kablosuna bağlayın.) (bazı modellerde)	Modelle bağlı değişiklik gösterir	
Kılavuzlu Vida (bazı modellerde)	5-8 (modele bağlı)		Kablo koruma kauçuk halkası (Kablo kelepçesi küçük bir yere sabitlenemezse, kordonu sarmak için kablo koruyucu kauçuk halkayı [aksesuarlarla birlikte verilir] kullanın. Daha sonra kelepçeye sabitleyin.) (bazı modellerde)	1	
Aktarma konektörü (iç ünite veya dış ünite paketinden çıkar, modele bağlı değişiklik gösterir) NOT: Boru boyu cihazdan cihaza farklılık gösterir. Farklı boru boyutu gereksinimini karşılamak için, bazen boru bağlantıları aktarma konektörüne ihtiyaç duyar.	Opsiyonel parça (tek parça/iç ünite) Opsiyonel parça (1-5 parça, modele bağlı)				

Opsiyonel aksesuarlar

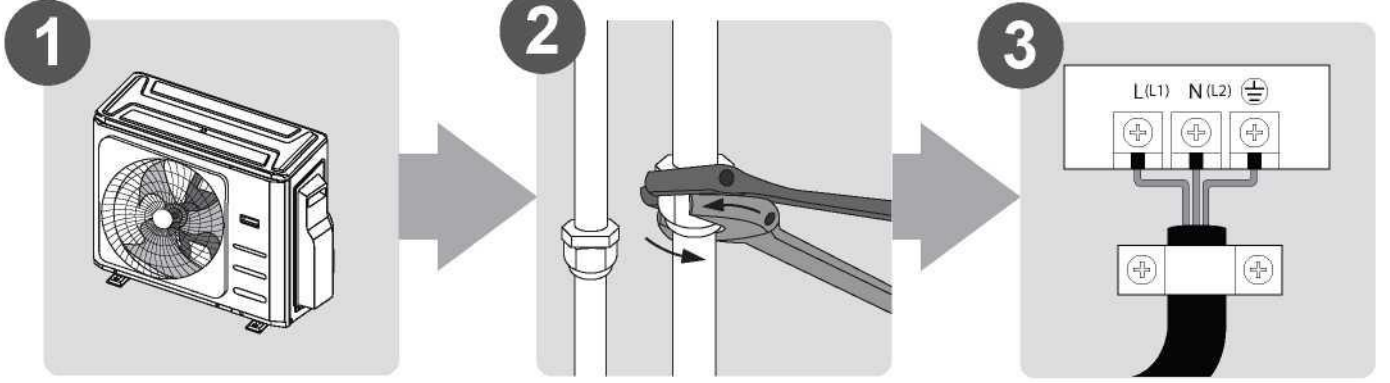
- İki tür uzaktan kumanda vardır: kablolu ve kablosuz. Müşteri tercihlerine ve gereksinimlerine göre bir uzaktan kumanda seçin ve cihazı uygun bir yere kurun. Uygun bir uzaktan kumanda seçmede rehberlik için kataloglara ve teknik literatüre bakınız.

İsim	Şekil	Adet
Bağlantı borusu aksamı	Su tarafı	φ6,35 (1/4 inç)
		φ 9,52 (3/8 inç)
	Gaz tarafı	φ 9,52 (3/8 inç)
		φ 12,7 (1/2 inç)
		φ 16 (5/8 inç)

Ayrı olarak satın almanız gereken parçalar. Satıcınıza satın aldığınız ünitenin uygun boru boyutu konusunda danışın.

Kurulum Özeti

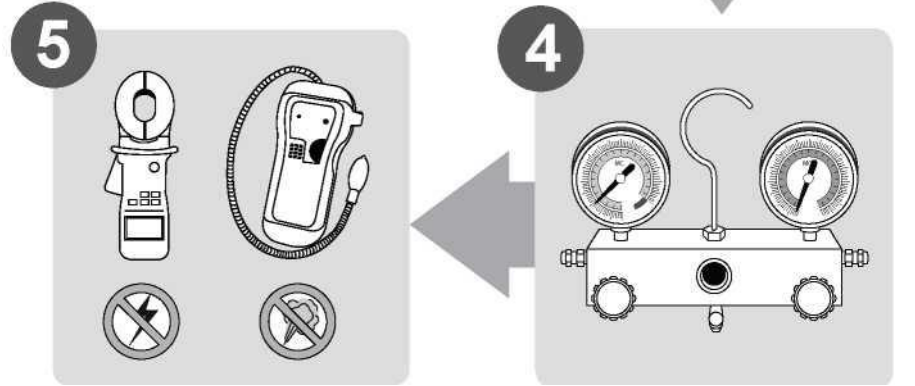
KURULUM SIRASI



Dış ünitenin kurulumu

Soğutucu gaz borularını bağlayın

Kabloları bağlayın



Test çalıştırması yapın

Soğutma sistemini boşaltın

Teknik Özellikleri

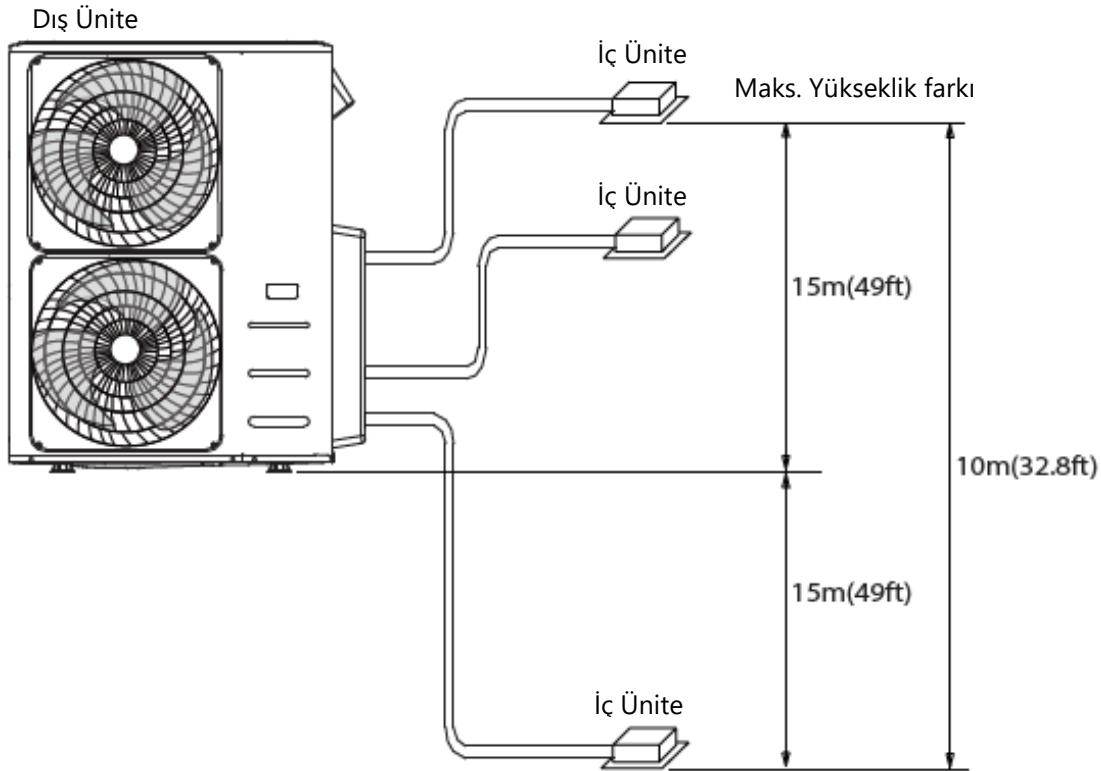
Birlikte kullanılacak ünite sayısı	Bağlı üniteler	1-5 ünite
Kompresör durdurma/başlatma frekansı	Durdurma süresi	3 dk veya daha fazla
Güç gerilimi	gerilim dalgalanması	nominal gerilimin %10'u
	başlama sırasındaki gerilim düşümü	nominal gerilimin %15'i
	aralık dengesizliği	nominal gerilimin %3'ü

Birim: m/fit

	İki İç Ünite	Üç İç Ünite	Dört İç Ünite	Beş İç Ünite
Tüm odaların maks. uzunluğu	40/131	60/197	80/262	80/262
Bir iç ünitenin maks. uzunluğu	25/82	30/98	35/115	35/115
İç ünite ve dış ünitenin arasındaki maks. yükseklik	15/49	15/49	15/49	15/49
Farklı iç üniteler arasındaki maks. yükseklik	10/33	10/33	10/33	10/33

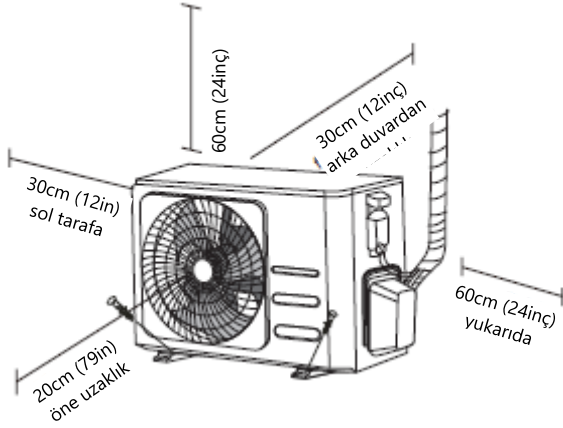
NOT: Hızlı bağlantı konektörlü bir iç ünitenin maks. uzunluğu 15 metredir.

Tek bir dış üniteye sahip birden fazla iç ünite monte ederken, soğutucu gaz borusunun uzunluğunun ve iç ve dış üniteler arasındaki dikey yükseklik değerinin aşağıdaki şemada gösterilen gereksinimleri karşıladığından emin olun:



Dış Ünite Kurulumu

Yerel yasalara ve yönetmeliklere uyarak üniteyi kurun, farklı bölgeler arasında farklılıklar olabilir.



Kurulum Talimatları - Dış ünitenin kurulumu

Adım 1: Kurulum yeri seçimi

Dış üniteyi kurmadan önce uygun bir yer seçmelisiniz. Aşağıdakiler, ünite için uygun bir yer seçmenize yardımcı olacak standartlardır.

Uygun kurulum yerleri için standartlar:

☑ Yukarıdaki Kurulum Alanı Gereksinimlerinde gösterilen tüm mekansal gereksinimleri karşılar.

☑ İyi hava sirkülasyonu ve havalandırma

☑ Sert ve sağlam — konum üniteyi destekleyebilir ve titremeyecektir

☑ Üniteden gelen gürültü başkalarını rahatsız etmeyecek

☑ Uzun süreli doğrudan güneş ışığından veya yağmurdan korunmalı

☑ Kar yağışı beklendiğinde, buz oluşumunu engellemek ve serpantin hasar görmesini önlemek için üniteyi taban plakasının üzerine kaldırın. Üniteyi, olası ortalama kar yağışının üzerinde olacak kadar yükseğe monte edin. Minimum yükseklik 18 inç olmalıdır

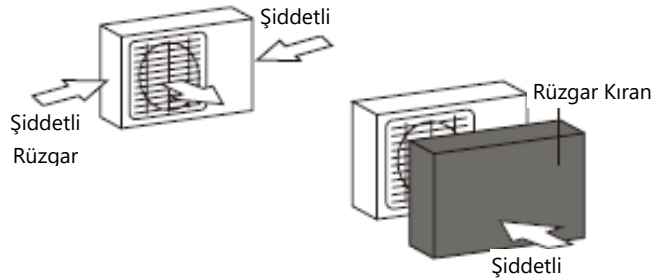
Üniteyi aşağıdaki konumlara KURMAYIN

- ☒ Hava girişlerini ve çıkışlarını tıkayacak bir engelin yanına
- ☒ Halka açık bir caddenin yakınına, kalabalık alanlara veya üniteden gelen gürültünün rahatsız edeceği yerlere
- ☒ Sıcak hava atımının hayvanlara veya bitkilere zarar verebileceği yerlere
- ☒ Yanıcı bir gaz kaynağının yakınına
- ☒ Toz miktarı aşırı olan bir yere
- ☒ Aşırı tuzlu havaya maruz kalacağı bir yere

EKSTREM HAVA ŞARTLARI İÇİN ÖZEL HUSUSLAR

Ünite şiddetli rüzgara maruz kalırsa:

Üniteyi, hava çıkış fanı rüzgar yönüne 90° açıda olacak şekilde kurun. Gerekirse, üniteyi aşırı şiddetli rüzgarlardan korumak için önüne bir bariyer koyun. Aşağıdaki şekillere bakın.



Ünite aşırı yağmura veya kara maruz kalırsa:

Yağmur veya kardan korumak için ünitenin üzerine bir koruyucu siperlik yapın. Ünite etrafındaki hava akışını engellememeye dikkat edin.

Ünite tuzlu havaya (deniz kenarı) maruz kalırsa:

Korozyona dayanacak şekilde özel olarak tasarlanmış dış ünite kullanın.

Adım 2: Dış tahliye ek yeri montajı (Yalnızca ısı pompası ünitesi)

Dış üniteyi yerine cıvatalamadadan önce, tahliye kaplininin ünitenin altına monte etmeniz gerekir. Dış ünite tipine bağlı olarak iki farklı tipte tahliye ek yerinin bulunduğunu unutmayın.

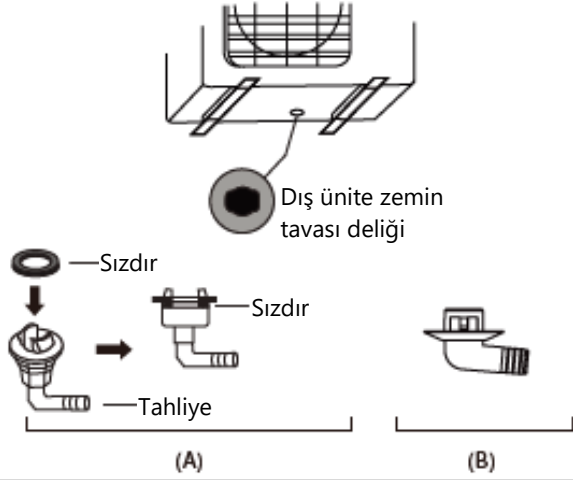
Tahliye kaplini lastik bir conta ile gelirse (bkz. Şekil A), aşağıdakileri yapın:

1. Dış üniteye bağlanacak olan tahliye kaplininin ucuna lastik contayı takın.
2. Tahliye bağlantısını ünitenin zemin tavaındaki deliğine yerleştirin.
3. Ünitenin ön tarafına bakacak şekilde yerine oturana kadar tahliye kaplinini 90° döndürün.
4. Isıtma modu sırasında suyu üniteneden yeniden yönlendirmek için tahliye ek yerine bir tahliye hortumu uzatması (dahil değildir) bağlayın.

Tahliye kaplini kauçuk bir sızdırmazlık contası ile

gelmezse (bkz. B), aşağıdakileri yapın:

1. Tahliye bağlantısını ünitenin zemin tavaındaki deliğine yerleştirin. Tahliye bağlantısı yerine oturacaktır.
2. Isıtma modu sırasında suyu üniteneden yeniden yönlendirmek için tahliye ek yerine bir tahliye hortumu uzatması (dahil değildir) bağlayın.



! SOĞUK İKLİMLERDE

Soğuk iklimlerde, hızlı su tahliyesi sağlamak için tahliye hortumunun olabildiğince dikey olmasını sağlayın. Su tahliyesi çok yavaşsa, su hortumunda donabilir ve üniteye su basabilir.

Adım 3: Dış Ünite Ankraj Yeri

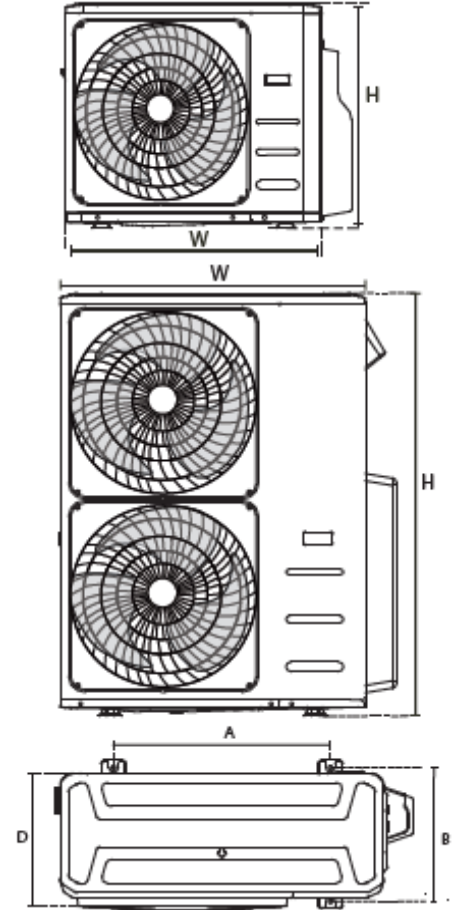
Dış ünite zemine veya cıvata (M10) ile duvara monte edilebilir. Ünitenin montaj zeminini aşağıdaki boyutlara göre hazırlayın.

ÜNİTE MONTAJ ÖLÇÜLERİ

Aşağıda, farklı dış ünite boyutları ve bunların montaj ayakları arasındaki mesafenin bir listesi verilmiştir. Ünitenin montaj zeminini aşağıdaki boyutlara göre hazırlayın.

Dış Ünite Tipleri ve Özellikleri

Split Tip Dış Ünite



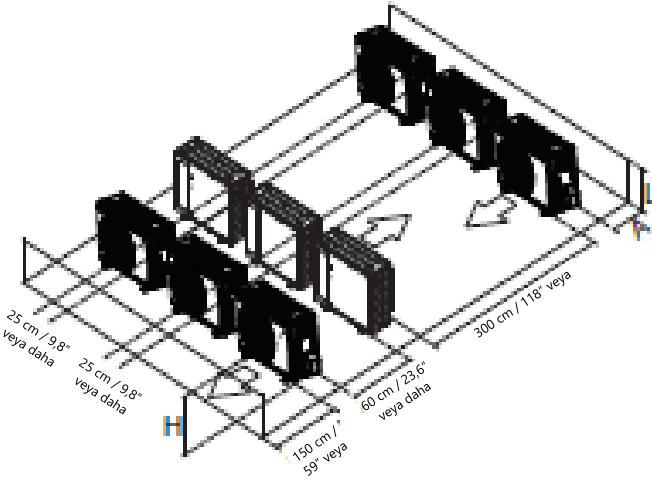
(birim: mm/inç)

Dış Ünite Boyutları G x Y x E	Montaj Boyutları	
	Mesafe A	Mesafe B
760x590x285 (29,9x23,2x11,2)	530 (20,85)	290 (11,4)
810x558x310 (31,9x22x12,2)	549 (21,6)	325 (12,8)
845x700x320 (33,27x27,5x12,6)	560 (22)	335 (13,2)
900x860x315/35,4x33,85x12,4	590 (23,2)	333 (13,1)
945x810x395/37,2x31,9x15,55	640 (25,2)	405 (15,95)
990x965x345/38,98x38x13,58	624 (24,58)	366 (14,4)
938x1369x392/36,93x53,9x15,43	634 (24,96)	404 (15,9)
900x1170x350/35,4x46x13,8	590 (23,2)	378 (14,88)
800x554x333/31,5x21,8x13,1	514 (20,24)	340 (13,39)
845x702x363/33,27x27,6x14,3	540 (21,26)	350 (13,8)
946x810x420/37,2x31,9x16,53	673 (26,5)	403 (15,87)
946x810x410/37,2x31,9x16,14	673 (26,5)	403 (15,87)
952x1333x410/37,5x52,5x16,14	634 (24,96)	404 (15,9)
952x1333x415/37,5x52,5x16,14	634 (24,96)	404 (15,9)

Çoklu Ünite Kurulumu

H, A ve L değerleri arasındaki ilişkiler aşağıdaki gibidir.

	L	A
$L \leq H$	$L \leq 1/2H$	25 cm / 9,8" veya daha fazla
	$1/2H < L \leq H$	30 cm / 11,8" veya daha fazla
$L > H$	Kurulum olmaz	



Duvarda Delik Açma İle İlgili Notlar

Soğutucu gaz boruları için duvara ve iç ve dış üniteleri bağlayacak sinyal kablosu için bir delik açmanız gerekir.

1. Dış ünitenin konumuna göre duvar deliğinin konumunu belirleyin.
2. 65 mm (2,5") karot matkap kullanarak duvarda bir delik açın.

NOT: Duvar deliğini delerken kablolar, su tesisatı ve diğer hassas bileşenlerden kaçındığınızdan emin olun.

3. Deliğe koruyucu duvar manşonu yerleştirin. Bu, deliğin kenarlarını korur ve kurulum işlemini tamamladığınızda deliğin kapatılmasına yardımcı olur.

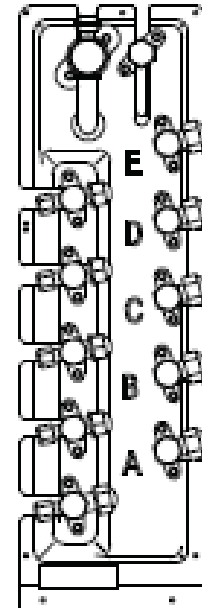
24K İç Üniteyi Seçtiğinizde

Bir 24K iç ünite yalnızca bir A sistemi ile bağlanabilir. Eğer iki adet 24K iç ünite varsa, bunlar A ve B sistemlerine bağlanabilir.

Bir A ve B sisteminin bağlantı borusu ölçüleri

(birim: inç)

İç ünite kapasitesi (Btu/h)	Sıvı	Gaz
7K/9K/12K	1/4	3/8
12K/18K	1/4	1/2
24K	3/8	5/8



Klima Gazı Boru Bağlantısı

NOT: Hızlı bağlantılı modeller için, bağlantı borusu montajı için lütfen makinenin kılavuzuna bakın. Makinenin kılavuzu bu talimatları tekrarlamaz.

Soğutucu gaz borularını bağlarken, üniteye belirtilen akışkan dışındaki maddelerin veya gazların girmesine izin vermeyin. Diğer gazların veya maddelerin varlığı ünitenin kapasitesini düşürür ve soğutma döngüsünde anormal derecede yüksek basınca neden olabilir. Bu, patlamaya ve yaralanmaya neden olabilir.

Bağlantı Talimatları - Soğutucu Gaz Boruları



DİKKAT

- Dallanan boru yatay olarak kurulmalıdır. 10°'den fazla bir açı arızaya neden olabilir.
- Hem iç hem de dış üniteler kurulana kadar bağlantı borusunu **MONTE ETMEYİN**.
- Su sızıntısını önlemek için hem gaz hem de sıvı borularını yalıtın.



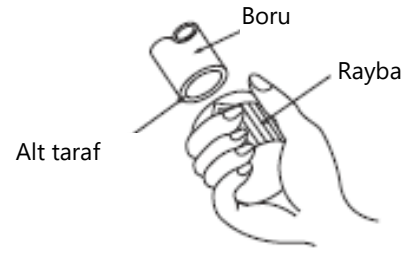
BORUYU DEFORME ETMEYİN KESME

Keserken boruya zarar vermemeye, ezmemeye veya deforme etmemeye çok dikkat edin. Bu, ünitenin verimini azaltacaktır.

Adım 2: Çapakları temizleme

Çapaklar, soğutucu gaz boru bağlantısının sızdırmazlığını etkileyebilir. Temizlenmesi gereklidir.

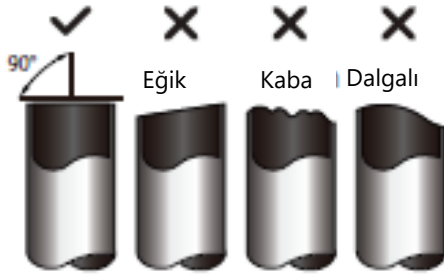
1. Çapakların boruya içine kaçmasını önlemek için boruyu aşağı doğru bir açıyla tutun.
2. Bir rayba veya çapak alma aleti kullanarak, borunun kesilen kısmındaki tüm çapakları temizleyin.



Adım 1: Boru kesme

Soğutucu gaz borularını hazırlarken, bunları düzgün bir şekilde kesmeye ve genişletmeye ekstra özen gösterin. Bu, verimli çalışmayı sağlayacak ve gelecekteki bakım ihtiyacını en aza indirecektir.

1. İç ve dış üniteler arasındaki mesafeyi ölçün.
2. Bir boru kesici kullanarak boruyu ölçülen mesafeden biraz daha uzun kesin.
3. Borunun mükemmel bir 90° açıyla kesildiğinden emin olun.

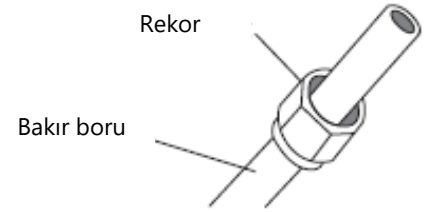


Adım 3: Rekorla boruyu sonlandırma

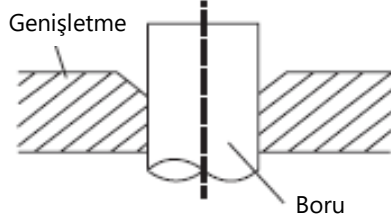
Hava geçirmez bir sızdırmazlık elde etmek için doğru bağlantı çok önemlidir.

1. Kesilen borudaki çapakları giderdikten sonra, yabancı maddelerin boruya girmesini önlemek için uçları PVC bantla kapatın.
2. Boruyu yalıtım malzemesi ile kaplayın.
3. Borunun her iki ucuna genişletme somunları (rekorları) yerleştirin.

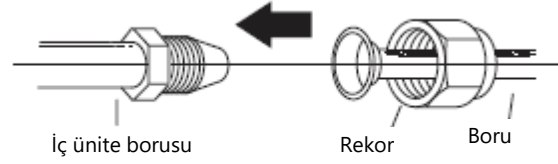
Doğru yöne baktıklarından emin olun, çünkü genişletmeden sonra onları takamaz veya yönlerini değiştiremezsiniz.



- Geniřletme iři yapmaya hazır olduđunuzda PVC bandı borunun ularından ıkarın.
- Borunun ucunu sıkıřtırın. Borunun ucu geniřletme formunun zerinde geniřletilmeli.



- Ađız ama aletine boruyu yerleřtirin.
- Boru tamamen geniřletilene kadar ađız ama aletinin kolunu saat ynnde dndrn. Boruyu llerine gre geniřletin.



- Elinizle olabildiđince sıkı bir řekilde rekoru sıkın.
- Bir boru anahtarı kullanarak, boru zerindeki rekoru kavrayın.
- Rekoru sıkıca kavrarırken, rekoru tablodaki tork deđerlerine gre sıkılmak iin bir tork anahtarı kullanın.

NOT: Rekoru takarken veya skerken bir boru anahtarı ve tork anahtarı aynı anda kullanın.

REKORUN SONRASINDA BORU UZATMA

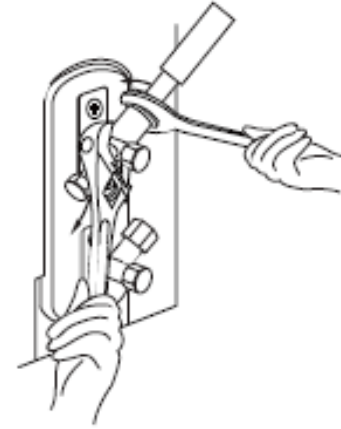
Boru leđi	Sıkma torku	Geniřletme ls (A) (Birim: mm/in)		Geniřletme řekli
		Min.	Maks.	
ap 6,4	18-20 N.m (183-204 kgf.cm)	8,4/0,33	8,7/0,34	
ap 9,5	25-26 N.m (255-265 kgf.cm)	13,2/0,52	13,5/0,53	
ap 12,7	35-36 N.m (357-367 kgf.cm)	16,2/0,64	16,5/0,65	
ap 15,9	45-47 N.m (459-480 kgf.cm)	19,2/0,76	19,7/0,78	
ap 19,1	65-67 N.m (663-683 kgf.cm)	23,2/0,91	23,7/0,93	
ap 22	75-85 N.m (765-867 kgf.cm)	26,4/1,04	26,9/1,06	

- Ađız ama aletini (geniřletme aletini) ıkarın ve atlama veya bozukluk olup olmadıđını kontrol edin.

Adım 4: Boruyu bađlama

Bakır boruları nce i niteye, ardından dıř niteye bađlayın. nce alak basın borusunu, sonra yksek basın borusunu bađlamalısınız.

- Rekorlu ucu bađlarken, boruların geniřletilmiř ularına ince bir tabaka ile sođutma sistemi yađı (klima yađı) uygulayın.
- Bađlayacađınız iki borunun merkezini hizalayın.



⚠ DİKKAT

- Boruların etrafına yalıtım sardıđınızdan emin olun. ıplak borularla dođrudan temas yanıklara veya donmaya neden olabilir.
- Borunun dzgn bađlandıđından emin olun. Ařırı sıkma ađza zarar verebilir ve az sıkma sızıntıya neden olabilir.

MİNİMUM BÜKÜM YARIÇAPI HAKKINDA NOTLAR

Aşağıdaki şemaya göre ortadaki boruyu dikkatlice bükün. Boruyu 90°'den fazla veya 3 defadan fazla bükmeyin.

Boruyu başparmağınızla bükün.



Minimum yarıçap 10 cm (3,9")

6. Bakır boruları iç üniteye bağladıktan sonra, güç kablosunu, sinyal kablosunu ve boruları kelepçe ile birlikte sarmalayın.

NOT: Sinyal kablosunu diğer kablolarla birbirine sarmayın. Bunları bir araya toplarken, sinyal kablosunu başka bir kabloyla birbirine bağlamayın veya sarmayın.

7. Bu boru hattını duvardan geçirin ve dış üniteye bağlayın.
8. Dış ünitenin vanaları dahil tüm boruları yalıtın.
9. İç ve dış ünite arasındaki soğutucu gaz akışını başlatmak için dış ünitenin stop vanalarını açın.

⚠ DİKKAT

Kurulum tamamladıktan sonra soğutucu kaçağı olup olmadığından iyice emin olun. Soğutucu kaçağı varsa, alanı hemen havalandırın ve sistemi boşaltın (bu kılavuzun Hava Tahliyesi bölümüne bakın).

Kablolama



HERHANGİ BİR ELEKTRİK İŞİNİ YAPMADAN ÖNCE BU YÖNERGEYİ OKUYUN

1. Tüm kablo tesisatı yerel ve ulusal elektrik yasa ve yönetmeliklere uygun olmalı ve lisanslı bir elektrikçi tarafından kurulmalıdır.
2. Tüm elektrik bağlantıları, iç ve dış ünitelerin panellerin üzerinde bulunan Elektrik Bağlantı Şemasına göre yapılmalıdır.
3. Güç kaynağında ciddi bir güvenlik sorunu varsa, çalışmayı derhal durdurun. Gerekçenizi müşteriye açıklayın ve güvenlik sorunu düzgün bir şekilde çözülene kadar üniteyi kurmayı reddedin.
4. Gerilim, nominal gerilimin % 90-110'u arasında olmalıdır. Yetersiz güç arızaya, elektrik çarpmasına veya yangına neden olabilir.
5. Pek çok kablonun bulunduğu bir yere bağlıyorsanız, bir parafudr ve termik manyetik şalter kullanılmalıdır.
6. Şebekeye bağlanıyorsa, tüm kutupların bağlantısını kesen ve en az 1/8 inç (3 mm) kontak ayırma mesafesine sahip bir şalter veya devre kesici sabit kabloya dahil edilmelidir. Kalifiye bir teknisyen, onaylı bir devre kesici veya şalter kullanılmalıdır.
7. Üniteyi ayrı bir devreye paralel bağlayın. Bu devreye başka bir cihaz bağlamayın.
8. Klimayı doğru şekilde toprakladığınızdan emin olun.
9. Her kablo sıkıca bağlanmalıdır. Gevşek kablolama, terminalin aşırı ısınmasına neden olarak ürün arızasına ve olası bir yangına neden olabilir.
10. Kabloların soğutucu gaz borularına, kompresöre veya ünite içindeki herhangi bir hareketli parçaya temas etmesine izin vermeyin.
11. Üniteye yardımcı bir elektrikli ısıtıcı varsa, herhangi bir yanıcı malzemeden en az 1 metre (40 inç) uzağa kurulmalıdır.
12. Elektrik çarpmasını önlemek için, güç kaynağı kapatıldıktan hemen sonra elektrikli bileşenlere asla dokunmayın. Gücü kapattıktan sonra, elektrikli bileşenlere dokunmadan önce her zaman 10 dakika veya daha fazla bekleyin.

13. Elektrik kablolarınızla ve sinyal kablolarınızın birlikte geçmediğinden emin olun. Bu, distorsiyona ve parazite neden olabilir.
14. Ünite şebekeye bağlanmalıdır. Normal şartlarda, 32 ohm'luk bir empedansa sahip olmalıdır.
15. Aynı devreye hiçbir başka cihaz bağlanmamalıdır.
16. İç mekan kablolarını bağlamadan önce dışardaki kabloları bağlayın.



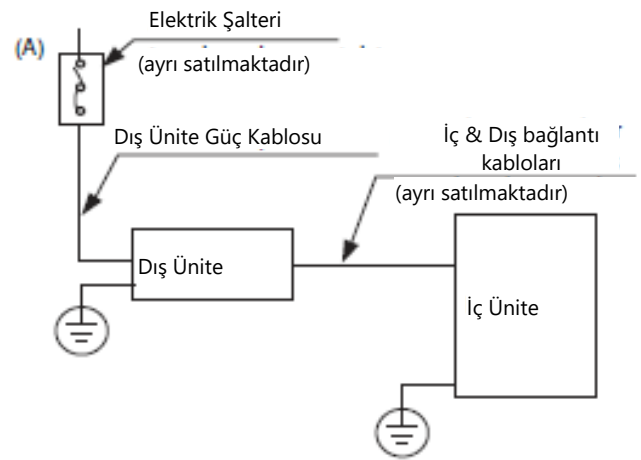
UYARI

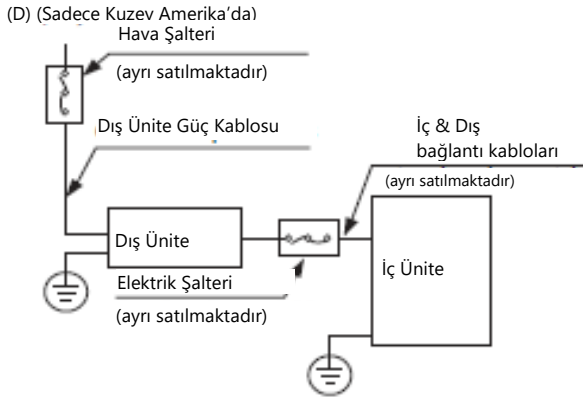
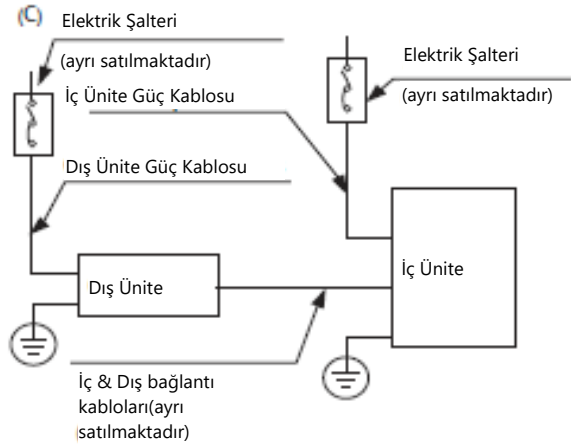
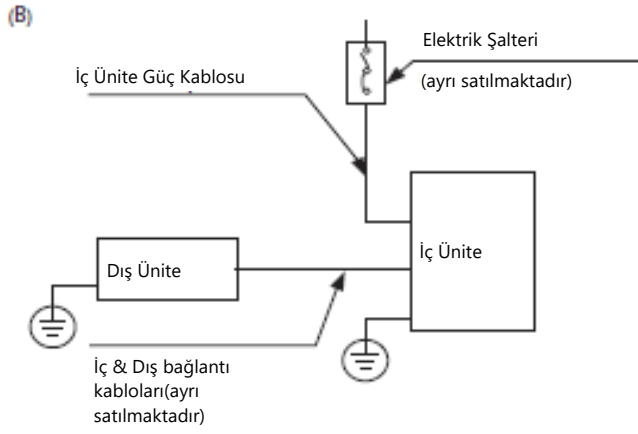
HERHANGİ BİR ELEKTRİK VEYA KABLOLAMA İŞİ YAPMADAN ÖNCE, SİSTEMDEKİ AKIMI KESİN.

ELEKTRİK ŞALTERİ İLE İLGİLİ NOTLAR

Klimanın maksimum akımı 16A'dan fazla olduğunda, koruyuculu bir elektrik şalteri veya kaçak akım rölesi kullanılmalıdır (ayrıca satılır). Klimanın maksimum akımı 16A'dan az olduğunda, klimanın güç kablosu fişe takılmalıdır (ayrıca satın alınır).

Kuzey Amerika'da, cihaz NEC ve CEC gereksinimlerine göre kablolanmalıdır.





NOT: Bu değerler sadece bilgi amaçlıdır. Makineniz farklı özellik gösterebilir. Gerçek şekil geçerli olacaktır.

Dış Ünite Kablolaması

⚠ UYARI

Herhangi bir elektrik veya kablolama işi yapmadan önce, sisteme giden gücü kesin.

1. Kabloyu bağlantı için hazırlayın
 - a. Doğru kablo çapını seçmelisiniz. H07RN-F kabloları kullandığınızdan emin olun.

NOT: Kuzey Amerika'da yerel elektrik yönetmelik ve düzenlemelerine göre kablo tipini seçin.

Güç ve Sinyal Kablolarının Minimum Kesit Alanı (Referans için)

Cihazın Anma Akımı (A)	Kesit Alanı (mm ²)
> 3 ve ≤ 6	0,75
> 6 ve ≤ 10	1
> 10 ve ≤ 16	1,5
> 16 ve ≤ 25	2,5
> 25 ve ≤ 32	4
> 32 ve ≤ 40	6

DOĞRU KABLO ÇAPINI SEÇİN

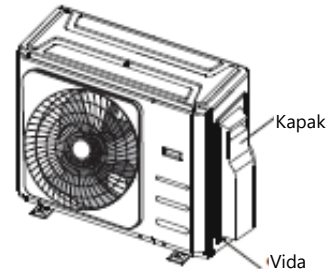
Güç kablosunun, sinyal kablosunun, sigortanın ve ihtiyaç duyulan şalterin değerleri, ünitenin maksimum akımına göre belirlenir. Maksimum akım cihazın plakasında belirtilmiştir. Doğru kabloyu, sigortayı veya şalteri seçmek için bu isim plakasına bakın.

NOT: Kuzey Amerika'da, lütfen ünitenin etiketinde belirtilen Minimum Devre Akımına göre doğru kablo çapını seçin.

- b. Kablo sıyırıcıları kullanarak, yaklaşık 15 cm (5,9 ") kabloyu ortaya çıkarmak için sinyal kablosunun her iki ucundaki kılıfı sıyırın.
- c. İzolasyonu uçlarından soyun.
- d. Kablo sıkma pensesi kullanarak, uçlarını çatal pabuçla sıkın.

NOT: Kabloları bağlarken kesinlikle elektrik kutusu kapağının içinde bulunan kablo şemasına uyun.

2. Dış ünitenin elektrik koruma kapağını çıkarın. Dış üniteye koruma kapağı yoksa, civataları bakım panosundan çıkarın ve koruma kartını sökün.



3. Çatal pabuçları klemenslere bağlayın. Kablo renklerini klemensdeki etiketlerle eşleştirin, ve her kablonun pabucunu karşılık gelen klemense sıkıca vidalayın.
4. Kabloyu belirtilen kablo klipsi kelepçeleysin.
5. Kullanılmayan kabloları elektrik bandı ile izole edin. Bunları herhangi bir elektrikli veya metal parçadan uzak tutun.
6. Elektrik kutusunun kapağını yeniden takın.

Harmonik Durum

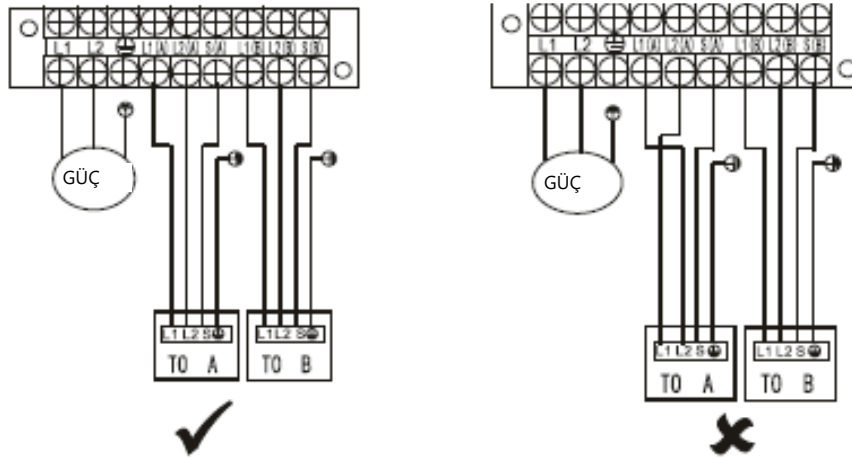
"M4OB-36HFN8-Q ekipmanı, kısa devre gücü Ssc'nin kullanıcının kaynağı ile genel sistem arasındaki arabirim noktasında 4787737,5'e eşit veya daha büyük olması koşuluyla IEC 61000-3-12 ile uyumludur. Ekipmanın yalnızca 4787737,5 veya daha büyük Ssc kısa devre gücüne sahip bir kaynağa bağlanmasını, gerekirse dağıtım firması operatörüne danışarak sağlamak, ekipmanı kuran veya kullanan kişinin sorumluluğundadır. "

"M5OD-42HFN8-Q ekipmanı, kısa devre gücü Ssc'nin kullanıcının kaynağı ile genel sistem arasındaki arabirim noktasında 3190042,5'e eşit veya daha büyük olması koşuluyla IEC 61000-3-12 ile uyumludur. Ekipmanın yalnızca 3190042,5 veya daha büyük Ssc kısa devre gücüne sahip bir kaynağa bağlanmasını, gerekirse dağıtım firması operatörüne danışarak sağlamak, ekipmanı kuran veya kullanan kişinin sorumluluğundadır. "

Kablolama Şekli

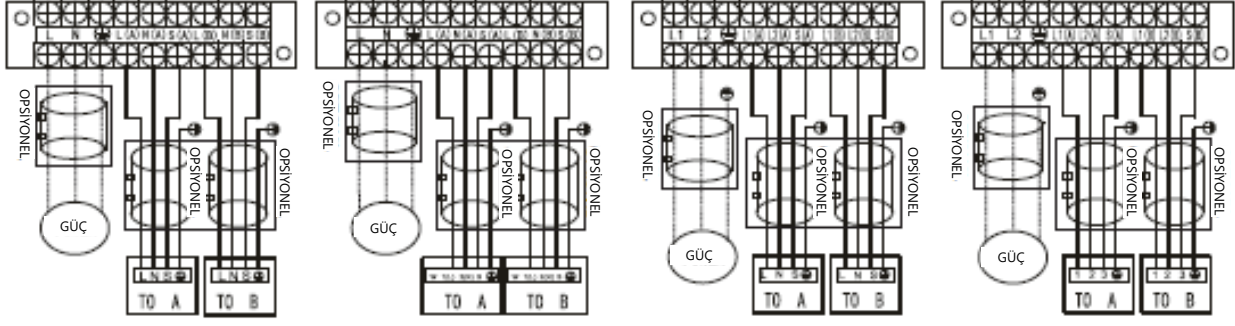
⚠ DİKKAT

Bağlantı kablolarını, iç ve dış ünitelerin klemensin eşleşen numaralarıyla tanımlandığı şekilde klemenslere bağlayın. Örneğin, aşağıdaki şemada gösterilen ABD modellerinde, dış ünitenin L1(A) Klemensi iç ünitenin L1 klemensine bağlanmak zorundadır.



NOT: Son kullanıcılar kendi kablolarını yapmak isterlerse alttaki şekillere inceleyebilirsiniz.
Ana güç kablosunu, kablo kelepçesinin alt hat çıkışından geçirin.
— Bu simge, saha kablolamasını gösterir.

İkili modeller:

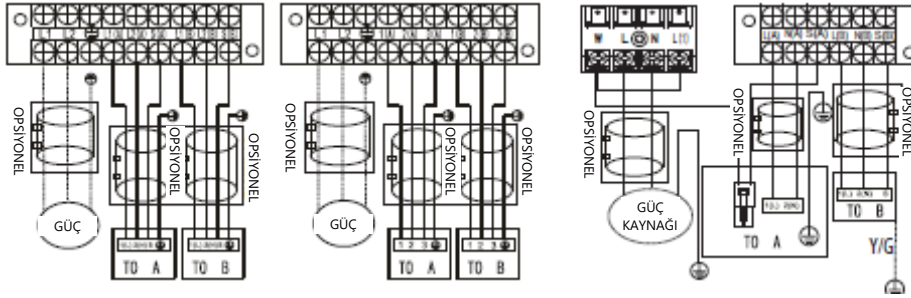


Model A

Model B

Model C

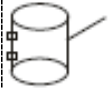
Model D



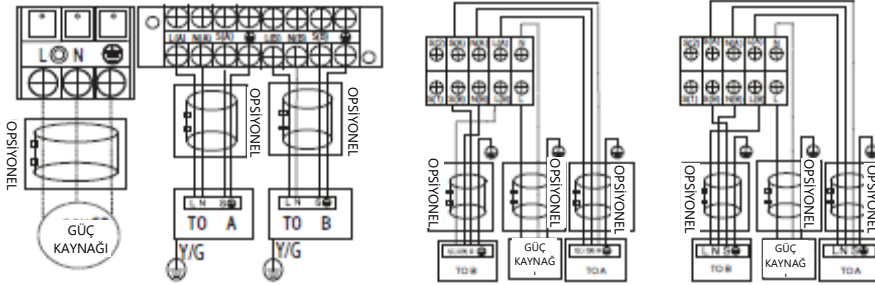
Model E

Model F

Model G



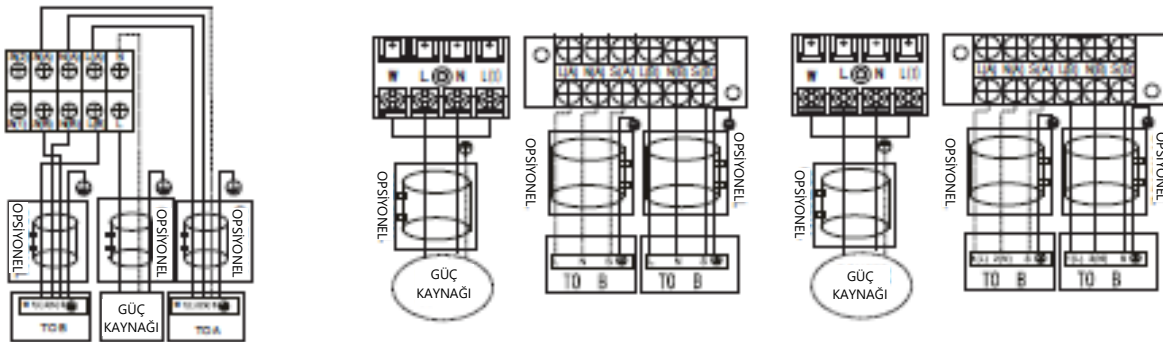
NOT: Kurulundan sonra iç ünite ile dış ünite arasındaki bağlantı kablosuna manyetik nüve (opsiyonel parça) bağlayın. Bir kablo için bir nüve kullanılır



Model H

Model I

Model J

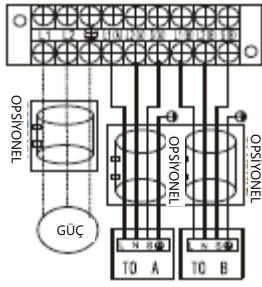


Model K

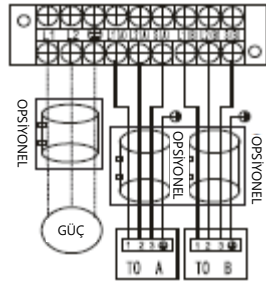
Model L

Model M

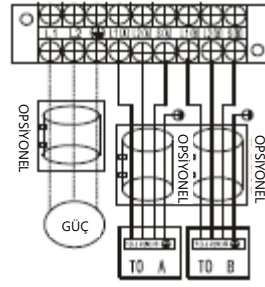
NOT: Son kullanıcılar kendi kablolarını yapmak isterlerse lütfen alttaki şekilleri inceleyin.



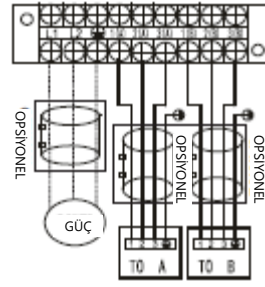
Model N



Model O

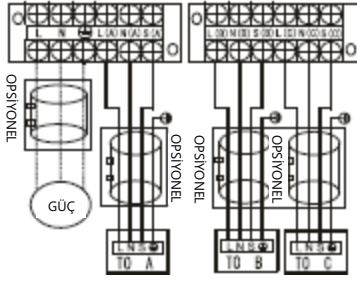


Model P

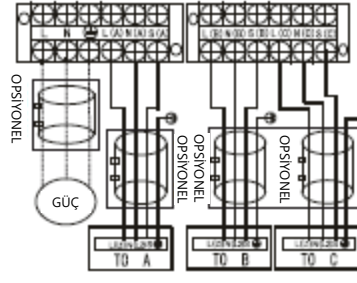


Model Q

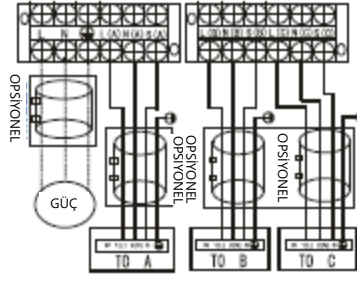
Üçlü modeller:



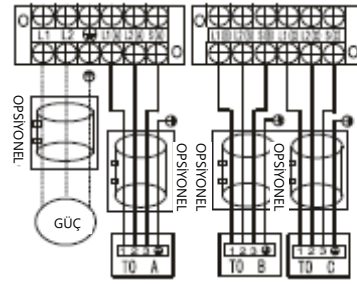
Model A



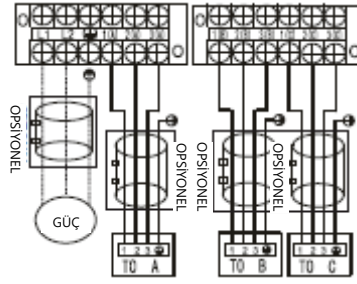
Model B



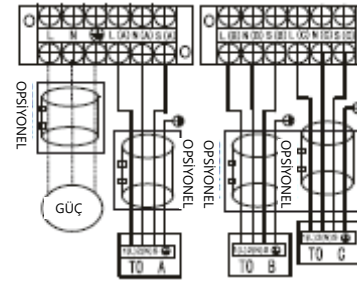
Model C



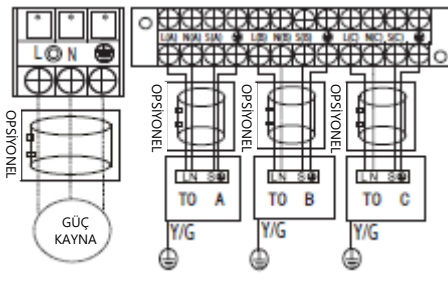
Model D



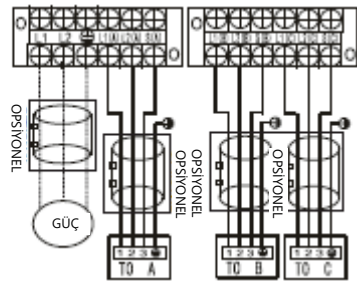
Model E



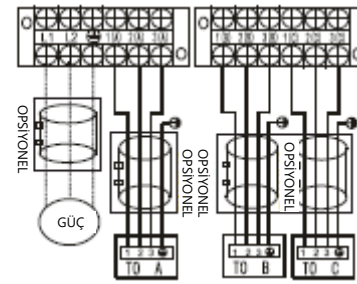
Model F



Model G

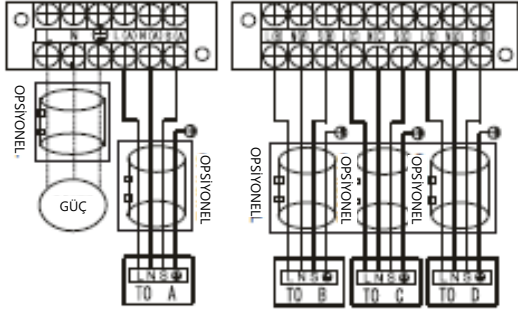


Model H

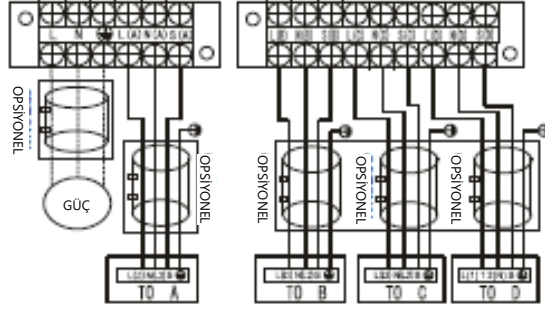


Model I

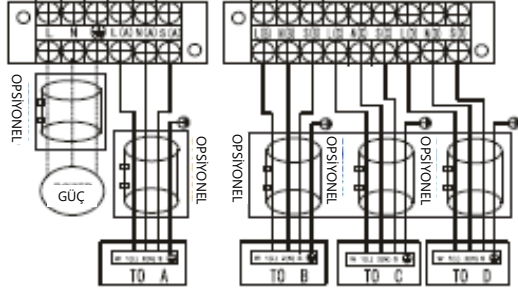
Dörtlü modeller:



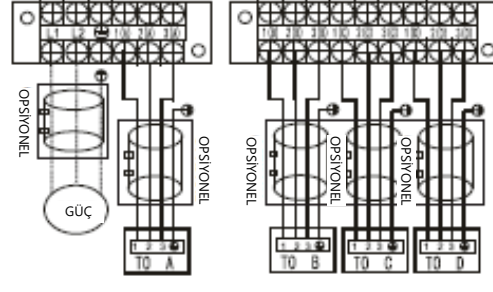
Model A



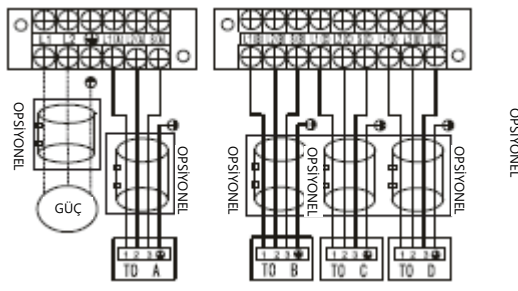
Model B



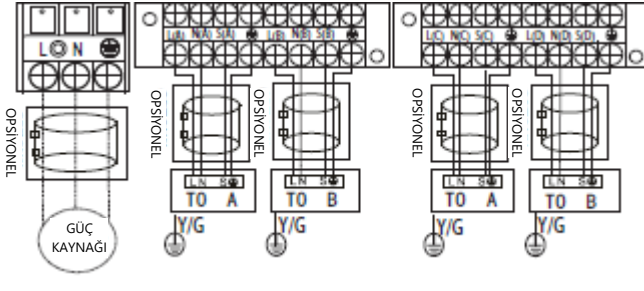
Model C



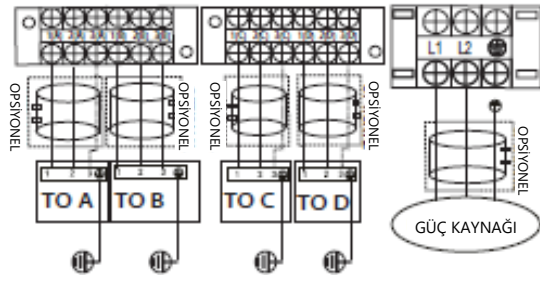
Model D



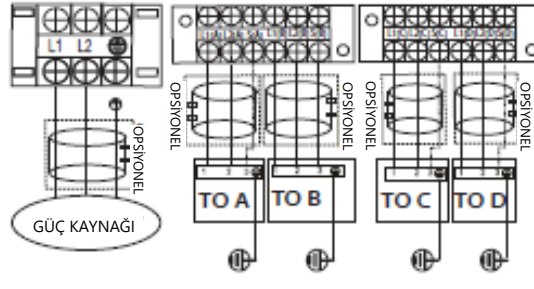
Model E



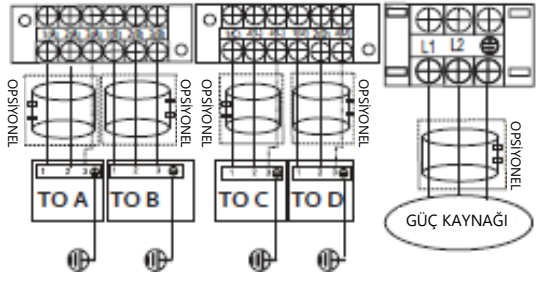
Model F



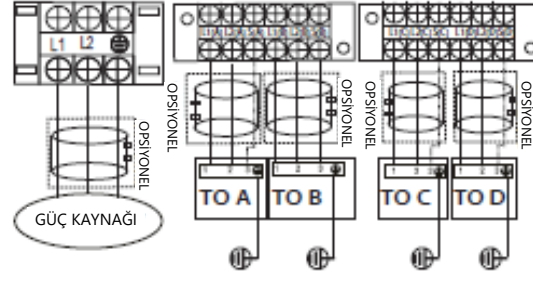
Model G



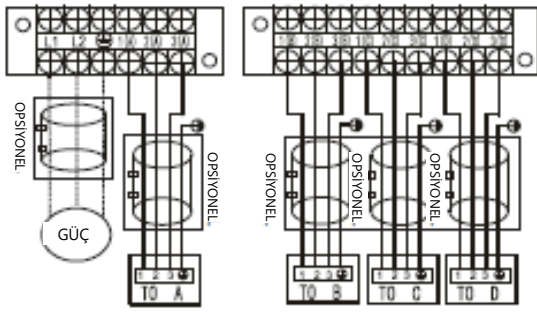
Model H



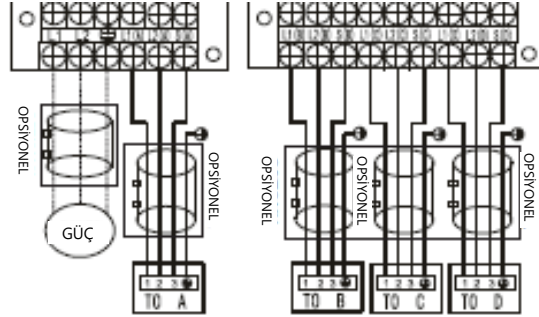
Model I



Model J

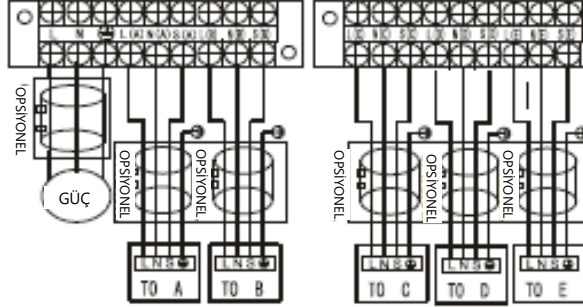


Model K

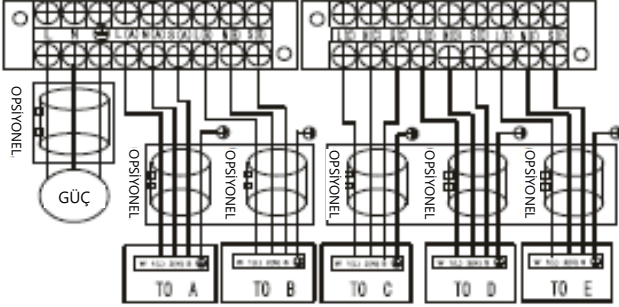


Model L

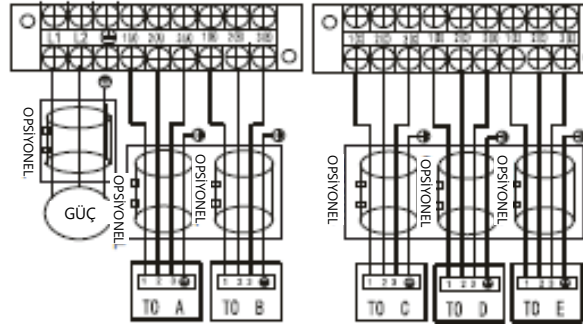
Beşli modeller:



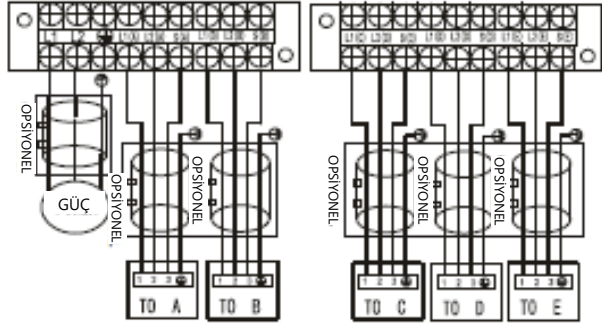
Model A



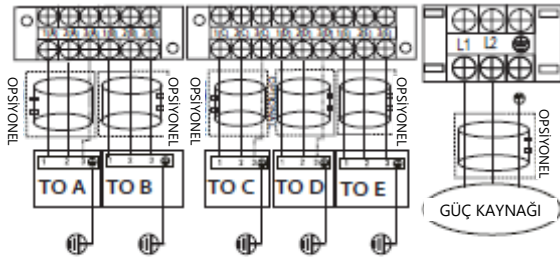
Model B



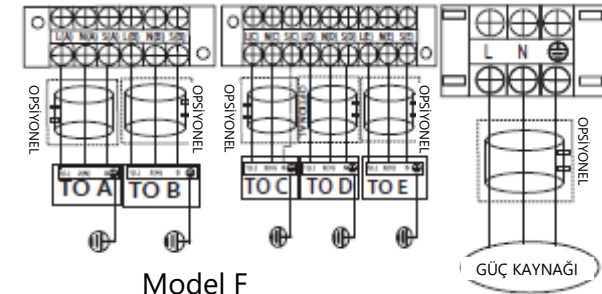
Model C



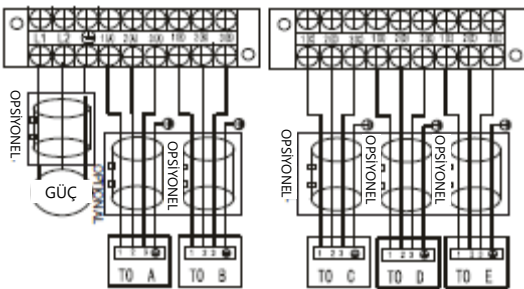
Model D



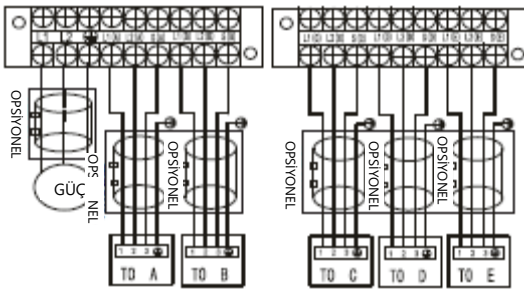
Model E



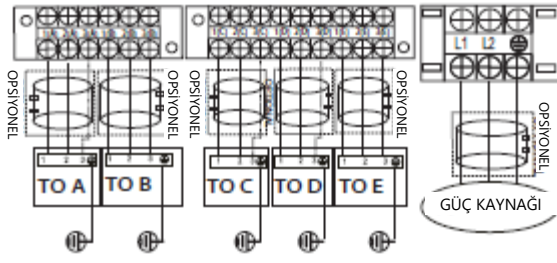
Model F



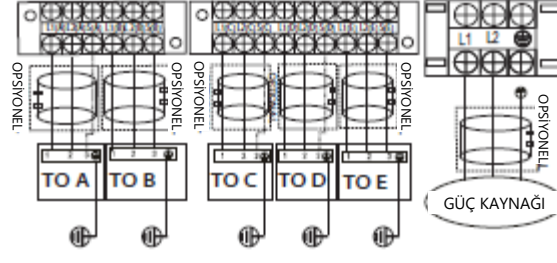
Model G



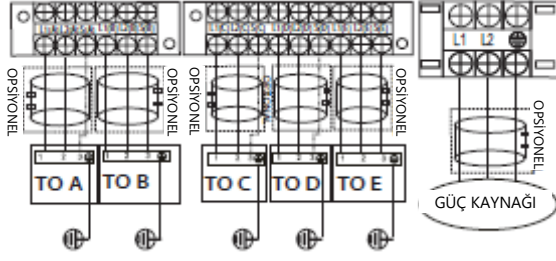
Model H



Model I



Model J



Model K

⚠ DİKKAT

Yukarıdaki koşulların onaylanmasından sonra, kablolama yaparken şu yönergeleri izleyin:

- Klima için her zaman ayrı bir güç devresi kurulmalıdır (sigortalı devre). Daima kontrol kapağının iç kısmında bulunan devre şemasına uyun.
- Elektrik bağlantı kutusundaki kabloları sabitleyen vidalar nakliye sırasında gevşeyebilir. Gevşek vidalar kablo yanmasına neden olabileceğinden, vidaları kontrol edin, gerekirse sıkılayın.
- Şebeke elektrik değerlerinin teknik özelliklerini kontrol edin.
- Elektrik kapasitesinin yeterli olduğunu doğrulayın.
- Başlangıç geriliminin, plakasında belirtilen nominal gerilimin yüzde 90'ından daha fazlasında kalabildiğini doğrulayın.
- Kablo kalınlığının spesifikasyonlarda belirttiği gibi olduğunu doğrulayın.
- Islak veya nemli alanlarda daima bir toprak kaçağı şalter kullanın.
- Aşağıdakiler gerilim düşüşünden kaynaklanabilir: manyetik switch'in vibrasyonu, kontak yerlerinin zarar görmesi, yanmış sigortalar ve cihazın işlevlerinde bozulmalar.
- Bir güç kaynağından bağlantı kesilmesi, kablolamaya dahil edilmelidir. Her faz iletkeninin arasında en az 3 mm'lik bir hava boşluğu ayrımı olmalıdır.
- Terminallere erişmeden önce tüm güç devrelerinin bağlantısı kesilmelidir.

NOT:

Belirli ülkelerde veya eyaletlerde CISPR 14-1: 2005 / A2: 2011 uluslararası standardı tarafından zorunlu tutulan zorunlu EMC regülasyonlarını karşılamak için, lütfen cihazınıza uyan kablo şemasına göre doğru manyetik nüveleri uyguladığınızdan emin olun.

Daha fazla bilgi almak ve manyetik nüveler satın almak için lütfen distribütörünüz veya servisinizle iletişime geçiniz (Manyetik nüve tedarikçisi TDK (model ZCAT3035-1330) veya benzeri).

Vakum İşlemi

Hazırlıklar ve Önlemler

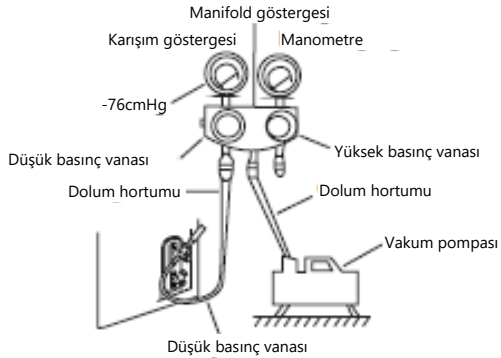
Soğutucu gaz devresindeki hava ve yabancı maddeler, klimaya zarar verebilecek, verimliliğini düşürebilecek ve daha kötüsü yaralanmalara neden olabilecek anormal basınç artışlarına neden olabilir. Soğutucu akışkanı boşaltmak için bir vakum pompası ve manifold göstergesi kullanın, sistemdeki yoğunlaşmayan gazı ve nemi giderin. Tahliye, ilk kurulumda ve ünite yeniden yerleştirildiğinde yapılmalıdır.

TAHLİYE YAPMADAN ÖNCE

- ☑ İç ve dış üniteler arasındaki bağlantı borularının düzgün bağlanıp bağlanmadığını kontrol edin.
- ☑ Tüm kabloların bağlı olup olmadığını kontrol edin

Boşaltma (Tahliye) Talimatları

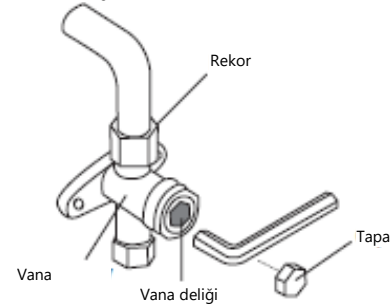
Bir manifold göstergesi ve bir vakum pompası kullanmadan önce, bunları nasıl doğru şekilde kullanacağınızı bildiğinizden emin olmak için kullanma kılavuzlarını okuyun.



1. Manifold göstergesinin dolum hortumunu dış ünitenin düşük basınç vanası üzerindeki servis çıkışına bağlayın.
2. Manifold göstergesinin dolum hortumunu vakum pompasına bağlayın.
3. Manifold göstergesinin Düşük Basınç tarafını açın. Yüksek Basınç tarafını kapalı tutun.
4. Sistemi boşaltmak için vakum pompasını açın.
5. Vakumu en az 15 dakika veya Basınç Ölçer -76cmHG (-1x105Pa) değerini gösterene kadar çalıştırın.
6. Manifold göstergesinin Düşük Basınç valfini kapatın ve vakum pompasını kapatın.
7. 5 dakika bekleyin, ardından sistem basıncında değişiklik olmadığını kontrol edin.

NOT: Sistem basıncında değişiklik yoksa, kapalı vanadan (yüksek basınç vanası) tapayı sökün. Sistem basıncında değişiklik varsa, gaz kaçağı olabilir.

8. Tapalı vanayı (yüksek basınç vanası) alyan anahtarı yerleştirin ve anahtarı saat yönünün tersine 1/4 döndürerek vanayı açın. Sistemden çıkmak için gazı dinleyin, ardından vanayı 5 saniye sonra kapatın.



9. Basıncıta değişiklik olmadığından emin olmak için manometreyi bir dakika boyunca izleyin. Atmosferik basınçtan biraz daha yüksek okumalıdır.
10. Dolum hortumunu servis bölümünden çıkarın.
11. Alyan anahtarı kullanılarak, yüksek ve düşük basınç vanalarının her ikisini de açın.

VANA DELİĞİNİ YAVAŞÇA TAPALAYIN

Vana gövdelerini açarken, alyan anahtarı stopere çarpana kadar çevirin. Vanayı daha fazla açmaya **ÇALIŞMAYIN**.

12. Vana tapalarını elle sıkın, ardından uygun aletle sıkın.
13. Dış ünite tüm vakum vanalarını kullanıyorsa ve vakum konumu ana pozisyondaysa, sistem iç üniteye bağlı değildir. Vana, dişli bir somun ile sıkılmalıdır. Sızıntıyı önlemek için çalıştırmadan önce gaz sızıntısı olup olmadığını kontrol edin.

Klima Gazı Ekleme ile ilgili Notlar

⚠ DİKKAT

- Soğutucu dolumu kablolama, vakumlama ve kaçak testinden sonra yapılmalıdır.
- İzin verilen maksimum soğutucu miktarını **AŞMAYIN** veya sistemi aşırı doldurmayın. Bunu yapmak üniteye zarar verebilir veya çalışmasını etkileyebilir.
- Uygun olmayan maddelerle doldurmak patlamalara veya kazalara neden olabilir. Uygun soğutucunun kullanıldığından emin olun.
- Soğutucu gaz şişeleri yavaş açılmalıdır. Sistemi doldururken daima koruyucu donanım kullanın.
- Farklı soğutucu akışkanları birbirine **KARIŞTIRMAYIN**.
- R32 soğutucular için, soğutucu akışkan klimaya eklendiğinde yanıcı malzeme kontrolü ile alandaki koşulların güvenli hale getirildiğinden emin olun.

N = 2 (tek ikili modeller), N = 3 (üçlü model), N = 4 (dörtlü model), N = 5 (beşli model). Bağlantı borularının uzunluğuna veya tahliye edilen sistemin basıncına bağlı olarak, soğutucu gaz eklemeniz gerekebilir. Eklenecek soğutucu miktarları için aşağıdaki tabloya bakın:

BORU UZUNLUĞU BAŞINA İLAVE SOĞUTUCU GAZ

Bağlantı Borusu Uzunluğu (m)	Hava Basma Yöntemi	Ek Soğutucu Gaz	
Ön-dolum boru uzunluğu (ft/m) (ön-dolum boru uzunluğu x N)	Vakum Pompası	N/A	
ft/m den daha fazla (ön-dolum boru uzunluğu x N)	Vakum Pompası	Sıvı Tarafı: 0 6,35 (0 1/4") R32 (Toplam boru uzunluğu - ön-dolum boru uzunluğu x N) x 12g/m	Sıvı Tarafı: 0 9,52 (0 3/8") R32 (Toplam boru uzunluğu - ön-dolum boru uzunluğu x N) x 24g/m

NOT: Standart boru uzunluğu 7,5 m'dir.

Emniyet ve Kaçak Kontrolü

Elektriksel güvenlik kontrolü

Kurulumu tamamladıktan sonra elektriksel güvenlik kontrolünü gerçekleştirin. Aşağıdaki alanları kapsar:

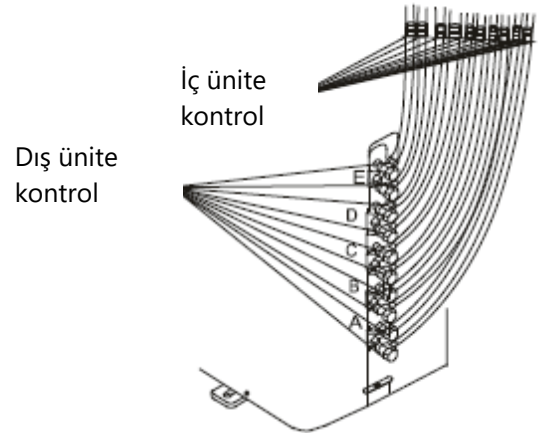
1. İzolasyon direnci
İzolasyon direnci 2 MOhm'dan fazla olmalıdır.
2. Topraklama
Topraklama işini bitirdikten sonra, topraklama direncini görsel algılama ve topraklama direnci test cihazını kullanarak ölçün. Topraklama direncinin 4 Ohm'dan düşük olduğundan emin olun.
3. Elektrik kaçağı kontrolü (ünite açıkken test sırasında gerçekleştirilir).

Kurulum tamamlandıktan sonra bir test işlemi sırasında, elektrik kaçağı kontrolü yapmak için probu ve multimetreyi kullanın. Sızıntı olursa üniteyi hemen kapatın. Ünite düzgün çalışana kadar farklı çözümleri deneyin ve değerlendirin.

Gaz kaçağı kontrolü

1. Sabunlu su yöntemi ile:
Boruların bağlantı noktalarında sızıntı olup olmadığını kontrol etmek için iç ünite bağlantısına veya dış ünite bağlantılarına yumuşak bir fırça ile sabunlu su solüsyonu veya sıvı deterjan uygulayın. Kabarcıklar ortaya çıkarsa, borularda sızıntı vardır.
2. Kaçak dedektörü
Kaçak olup olmadığını kontrol etmek için kaçak dedektörünü kullanın.

NOT: Bu resim yalnızca örnek amaçlıdır. Makinede A, B, C, D ve E'nin gerçek sırası satın aldığınız üniteden biraz farklı olabilir ancak genel şekil aynı kalacaktır.



A, B, C, D, dörtlü tip için noktaldır.

A, B, C, D, ve E beşli tip için noktaldır.

Test Çalıştırması

Test Çalıştırmadan Önce

Tüm sistem tamamen kurulduktan sonra bir test çalıştırması gerçekleştirilmelidir. Testi gerçekleştirmeden önce aşağıdaki maddeleri doğrulayın:

- İç ve dış ünitelerin kurulumu düzgün yapılmıştır.
 - Borular ve kablolar doğru şekilde bağlanmış.
 - Ünitenin giriş veya çıkışına, düşük performans veya ürün arızasına neden olabilecek hiçbir engel yok.
 - Soğutma sistemi sızıntı yapmaz
 - Drenaj sistemi engellenmemeli ve güvenli bir yere tahliye edilir.
 - Isıtma yalıtımı doğru şekilde monte edilmiştir.
- Topraklama kabloları doğru şekilde bağlanmıştır.
- Boruların uzunluğu ve ilave soğutucu gaz istifleme kapasitesi kaydedildi.
 - Klimanın gerilimi ile şebeke gerilimi birbirine uyumludur.

- Drenaj sisteminin engellenmediğini ve sorunsuz bir şekilde boşaltıldığını kontrol edin.
 - Çalışma sırasında titreşim veya anormal bir gürültü olmadığından emin olun.
5. Dış Ünite için
- Soğutma sisteminin sızdırap sızdırmadığını kontrol edin.
 - Çalışma sırasında titreşim veya anormal bir gürültü olmadığından emin olun.
 - Ünite tarafından üretilen rüzgar, gürültü ve suyun komşularınızı rahatsız etmediğinden veya güvenlik tehlikesi oluşturmadığından emin olun.

NOT: Ünite arızalanırsa veya çalışmazsa, lütfen müşteri hizmetlerini aramadan önce Kullanım Kılavuzunun Sorun Giderme bölümüne bakınız.



DİKKAT

Test çalıştırmasının yapılmaması ünitenin hasar görmesine, mal hasarına veya kişisel yaralanmaya neden olabilir.

Test Çalıştırması Talimatları

- Hem sıvı hem de gaz stop vanalarını açın.
- Ana şalteri ve sigortayı açın ve ünitenin ısınmasını bekleyin.
- Klimayı SOĞUTMA moduna ayarlayın.
- İç Ünite için;
 - Uzaktan kumanda ve düğmelerinin düzgün çalıştığından emin olun
 - Panjurların düzgün hareket ettiğinden ve uzaktan kumanda kullanılarak ayarlayabildiğinizden emin olun.
 - Oda sıcaklığının doğru kaydedilip kaydedilmediğini iki kez kontrol edin.
 - Uzaktan kumanda üzerindeki göstergelerin ve iç ünite üzerindeki ekran panelinin düzgün çalıştığından emin olun.
 - İç ünite üzerindeki butonların düzgün çalıştığından emin olun.

ALARKO



ALARKO CARRIER
SANAYİ VE TİCARET A.Ş.

İSTANBUL : GOSB - Gebze Org. San. Bölgesi, Ş. Bilgisu Cad. 41480 Gebze-K°CAELİ
Tel: (0262) 648 60 00 - Fax: (0262) 648 60 08
ANKARA : Sedat Simavi Sok. No: 48, 06550 Çankaya - ANKARA
Tel: (0312) 409 52 00 - Fax: (0312) 440 79 30
İZMİR : Şehit Fethibey Cad. No:55, Kat:13, 35210 Pasaport - İZMİR
Tel: (0232) 483 25 60 - Fax: (0232) 441 55 13
ADANA : Ziyapaşa Bulvarı Çelik Ap. No : 25/5-6, 01130 ADANA
Tel: (0322) 457 62 23 - Fax: (0322) 453 05 84
ANTALYA : Mehmetçik Mahallesi Aspendos Bulvarı No: 79/5 - ANTALYA
Tel: (0242) 322 00 29 - Fax: (0242) 322 87 66
MDH : 444 0 128

web: www.alarko-carrier.com.tr
e-posta: info@alarko-carrier.com.tr